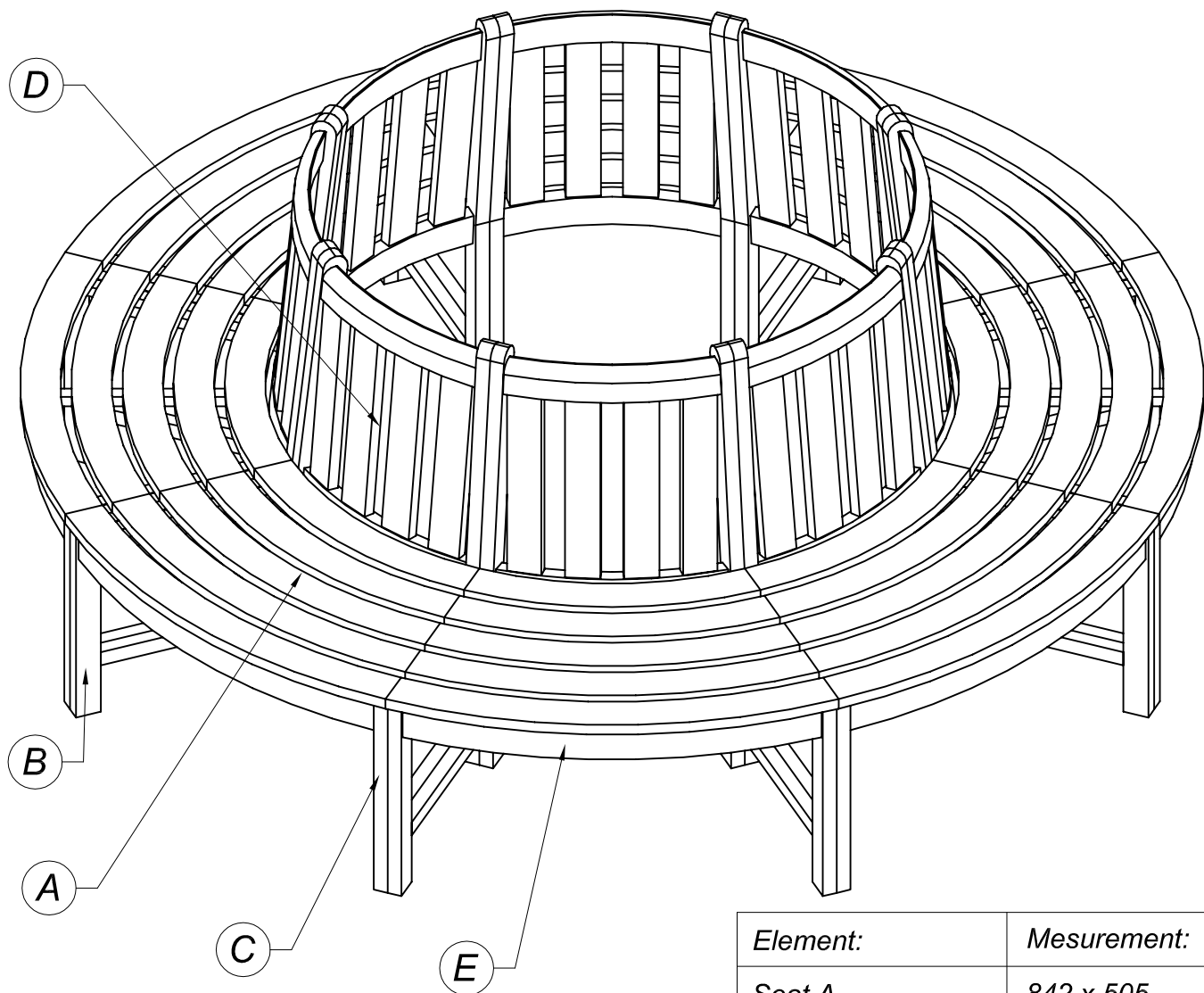
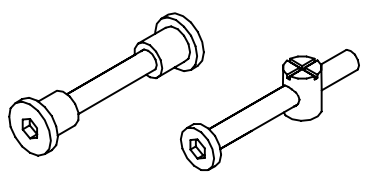
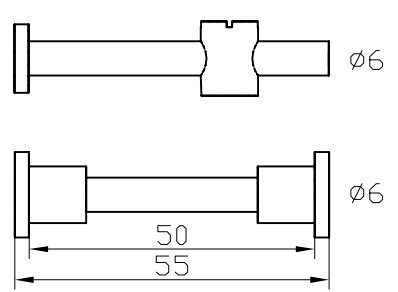


*Round teak tree seat*



Element:	Mesurement:
Seat A	842 x 505
Left Leg B	495 x 907
Right Leg C	495 x 907
Support D	515 x 415
Slat E	800 x 67 x 30



Assembling parts	
Element:	Aantal:
Bolt with nuts	8
Bolt with cross dowell	48
Socekt bolt key	2

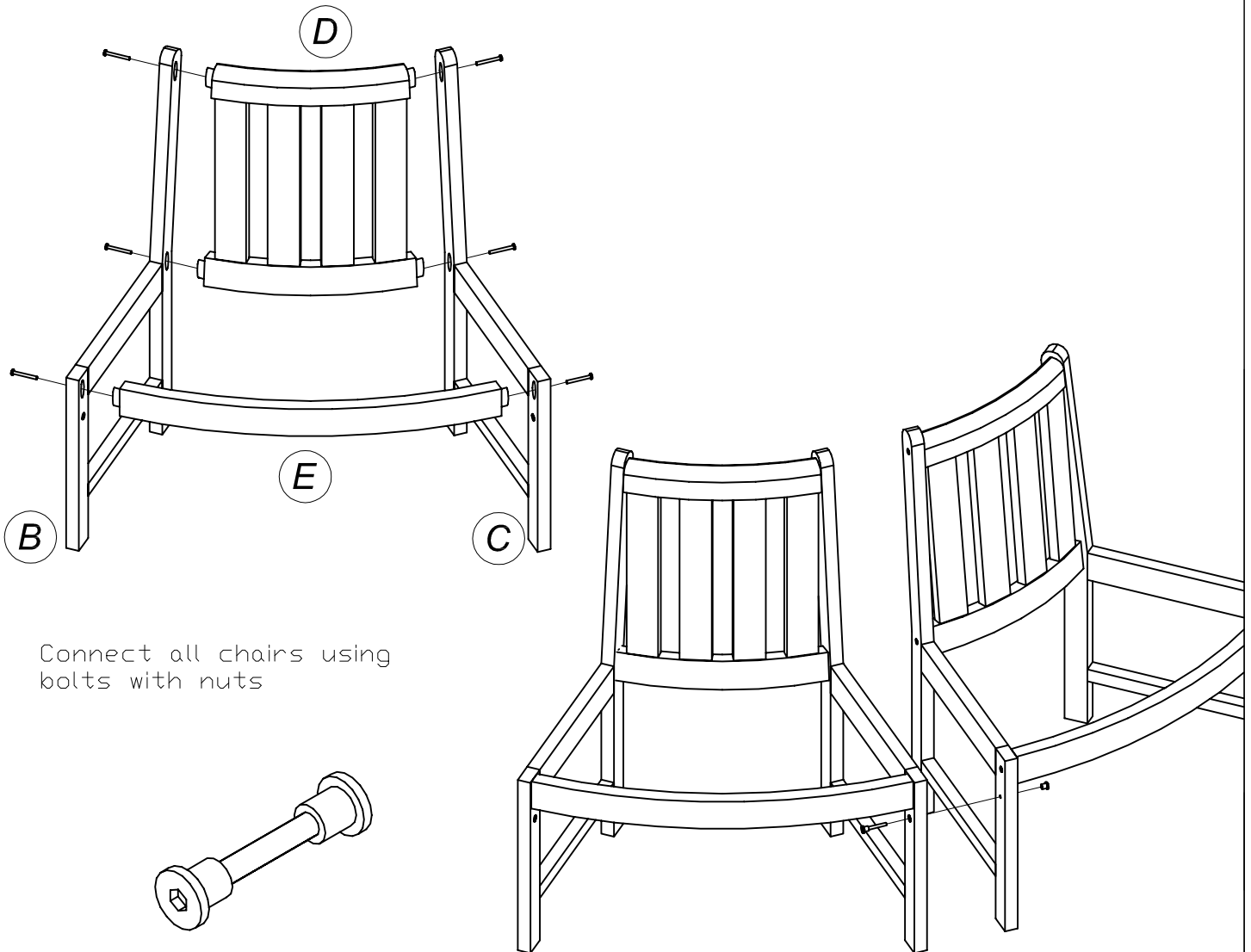
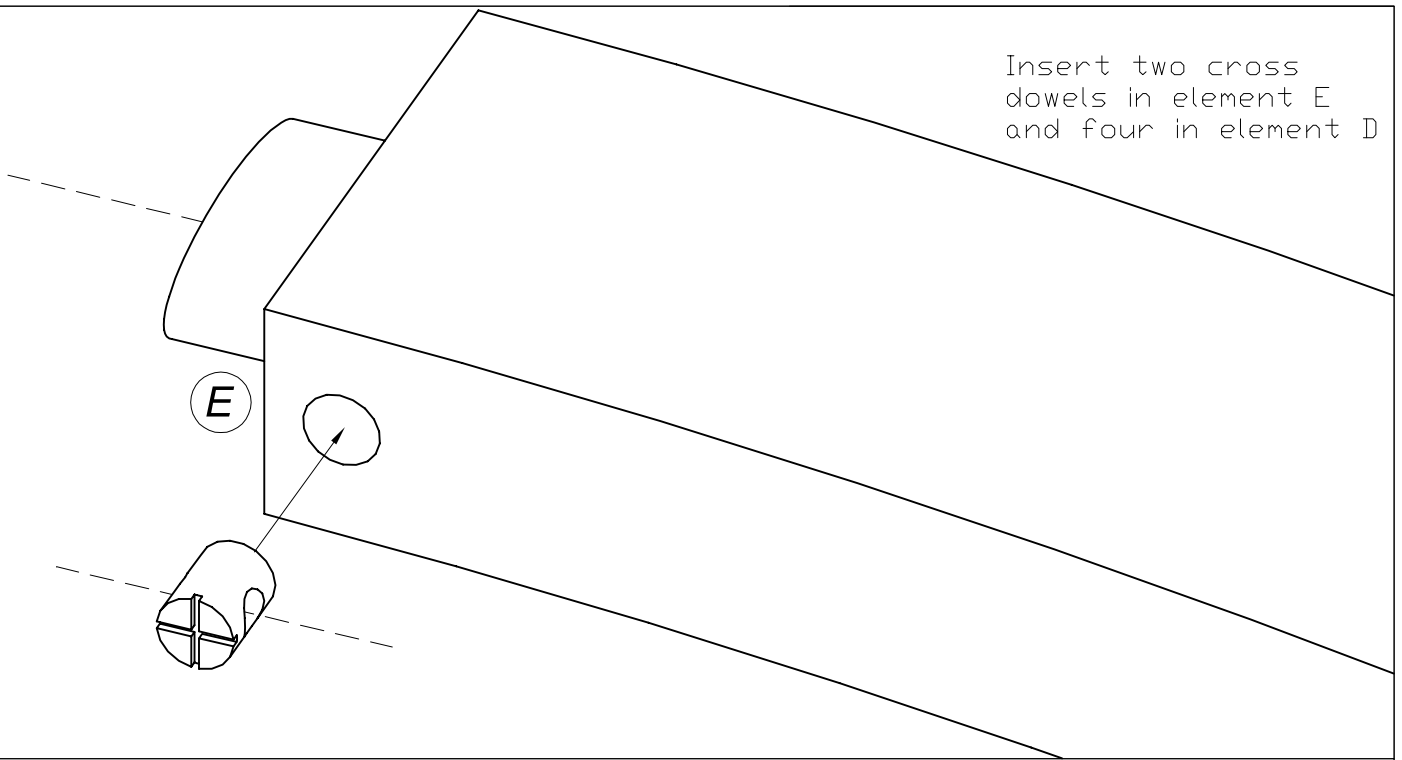
Article: Round teak tree seat

Article Nr. : 31.0003

Elements:	A	B	C	D	E	F	G	H	I	J
	8	8	8	8	8	-	-	-	-	-

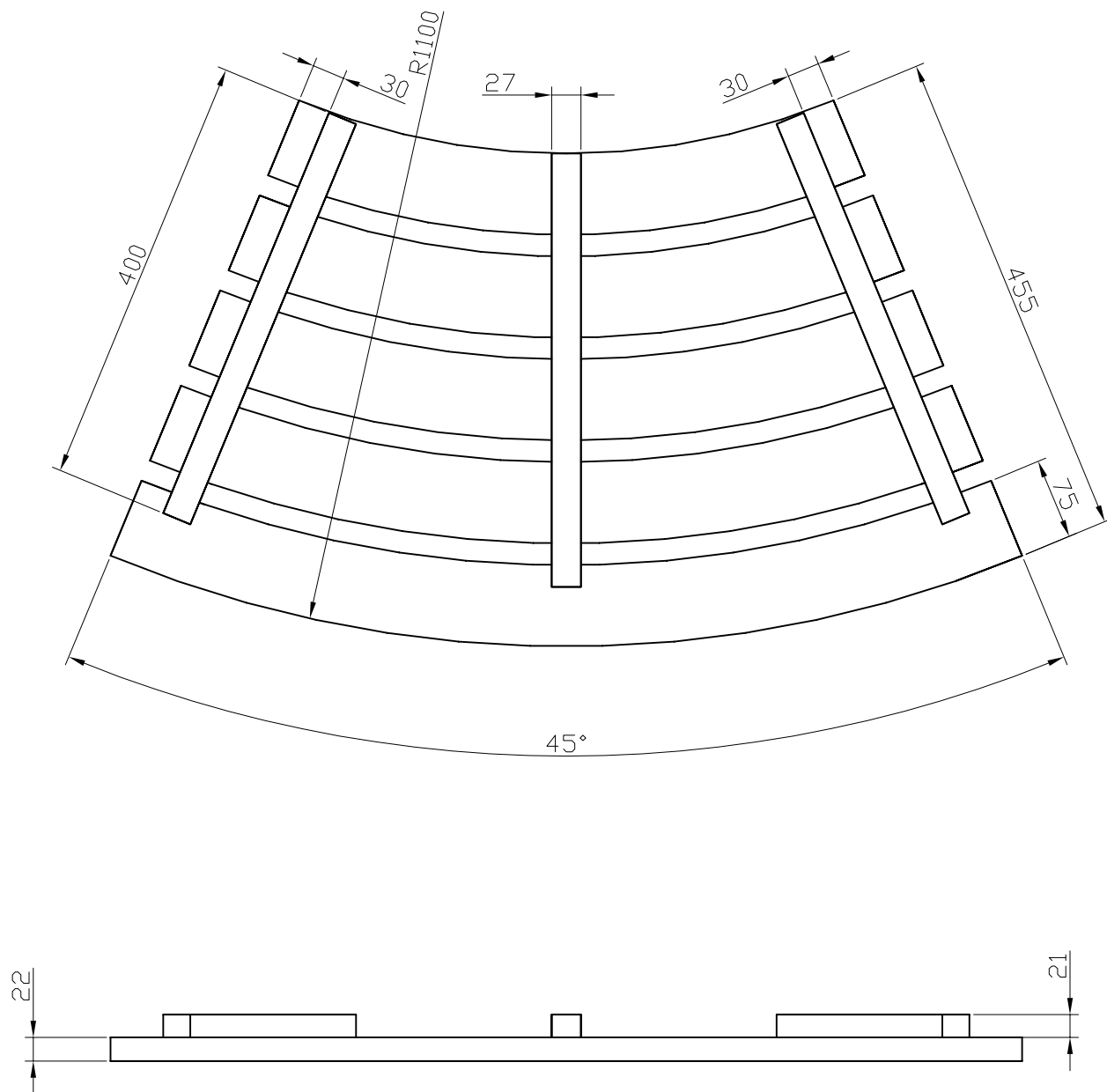


Insert two cross  
dowels in element E  
and four in element D



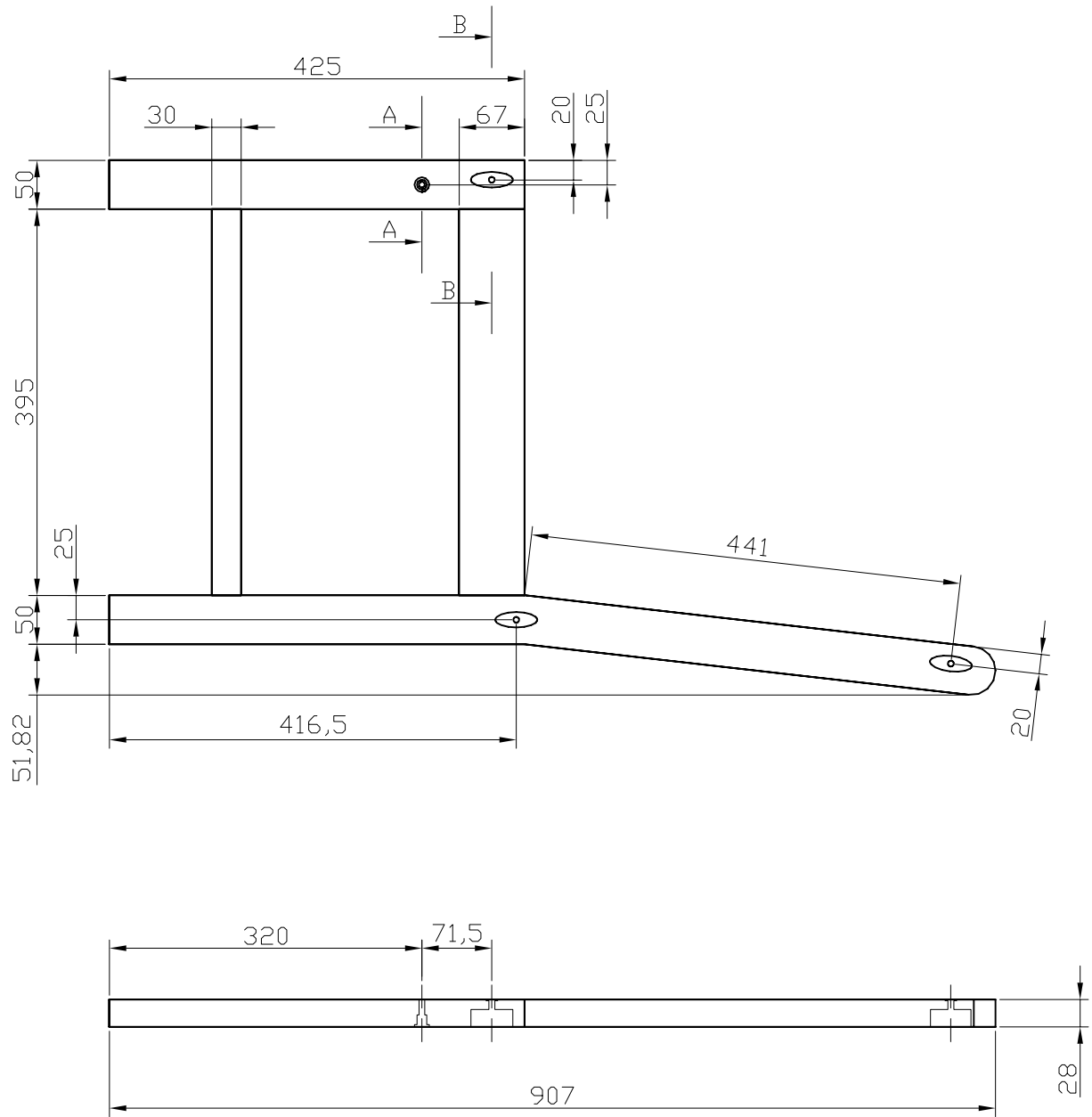
Article: Round teak tree seat

Article Nr. : 31.0003

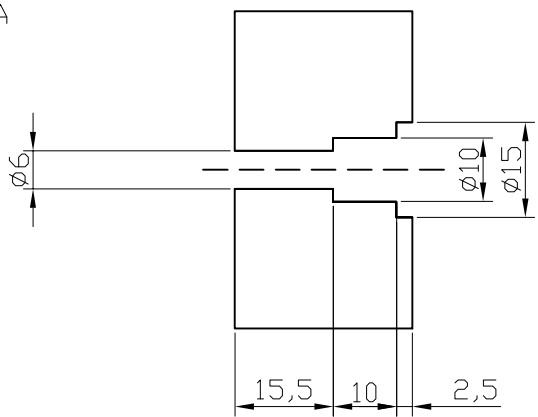


Article: Round teak tree seat - Element A

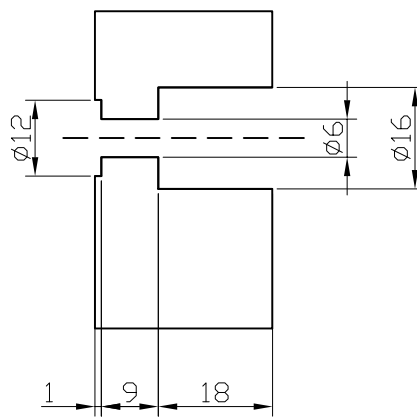
Article Nr. : 31.0003



A - A

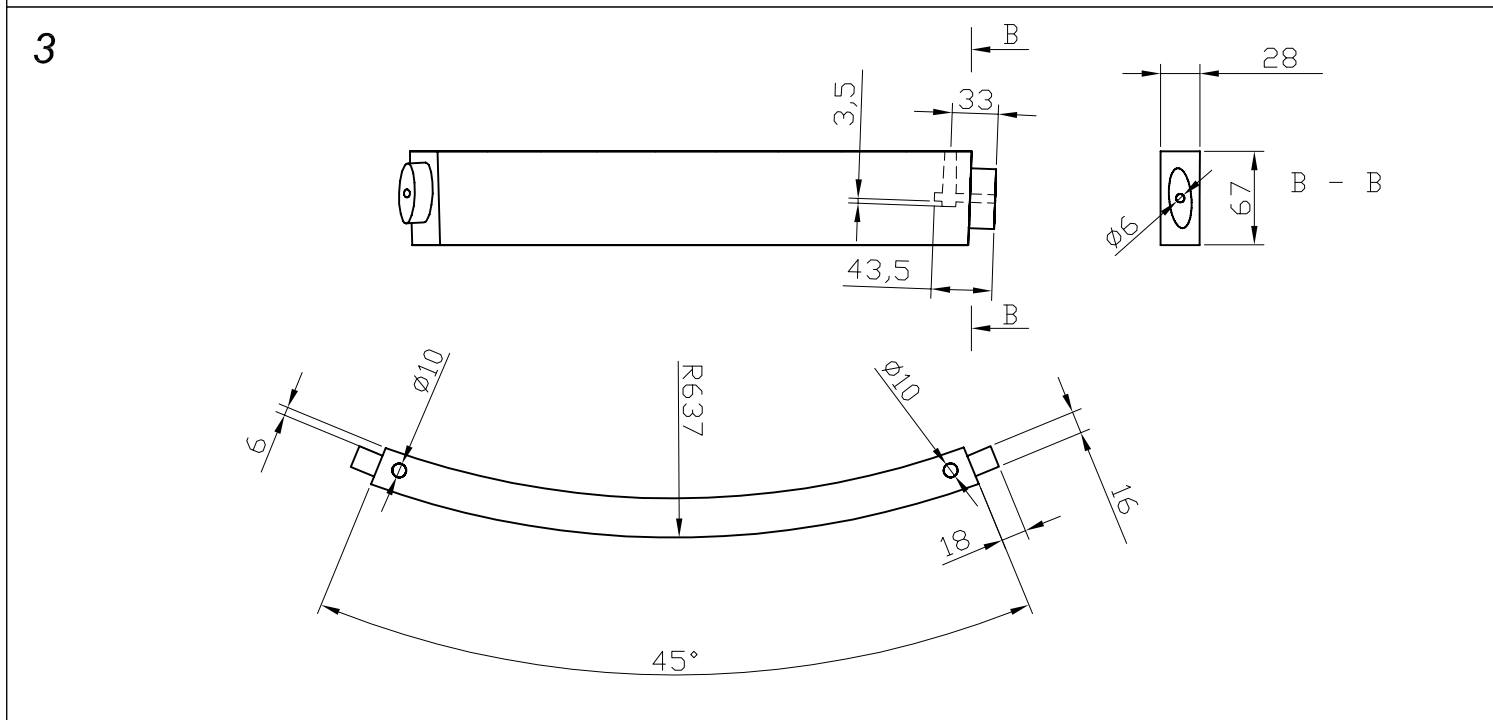
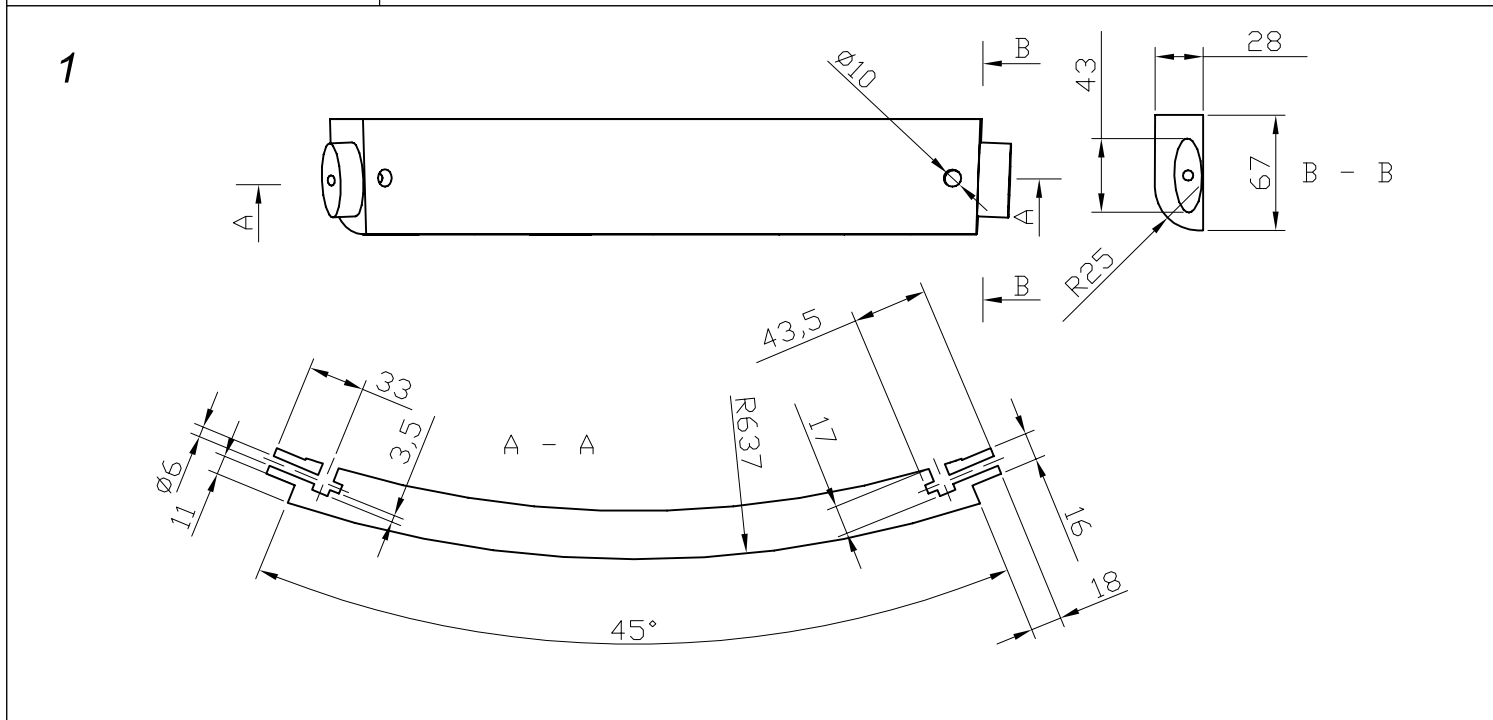
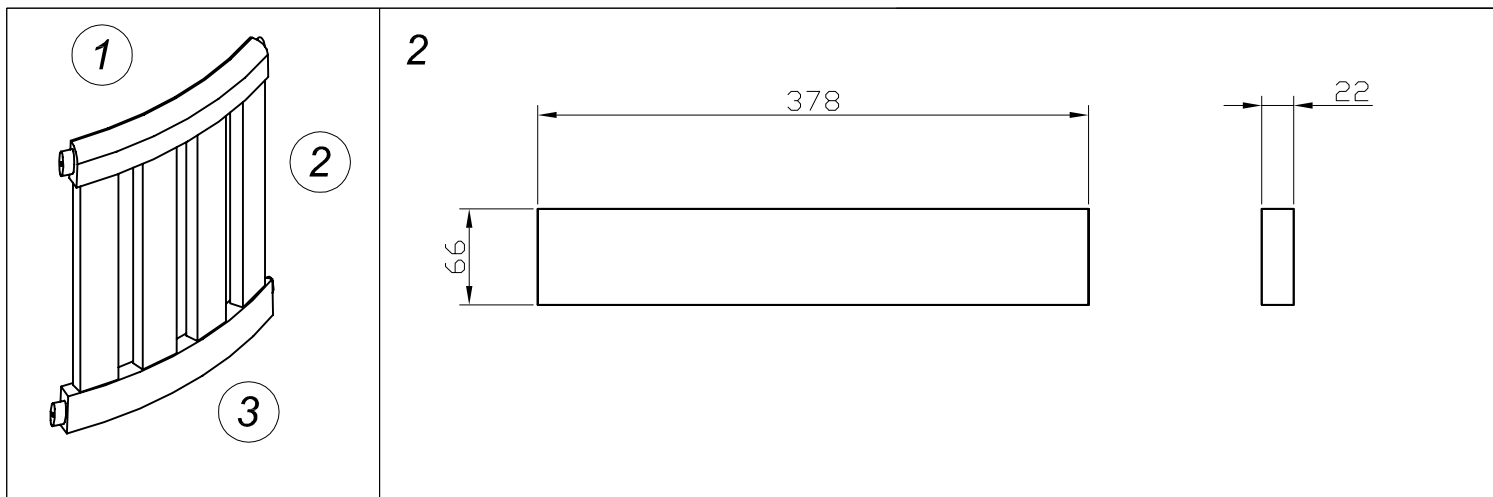


B - B



Article: Round teak tree seat- Element B and C

Article Nr. : 31.0003



Article: Round teak tree seat - Element D

Article Nr. : 31.0003

