

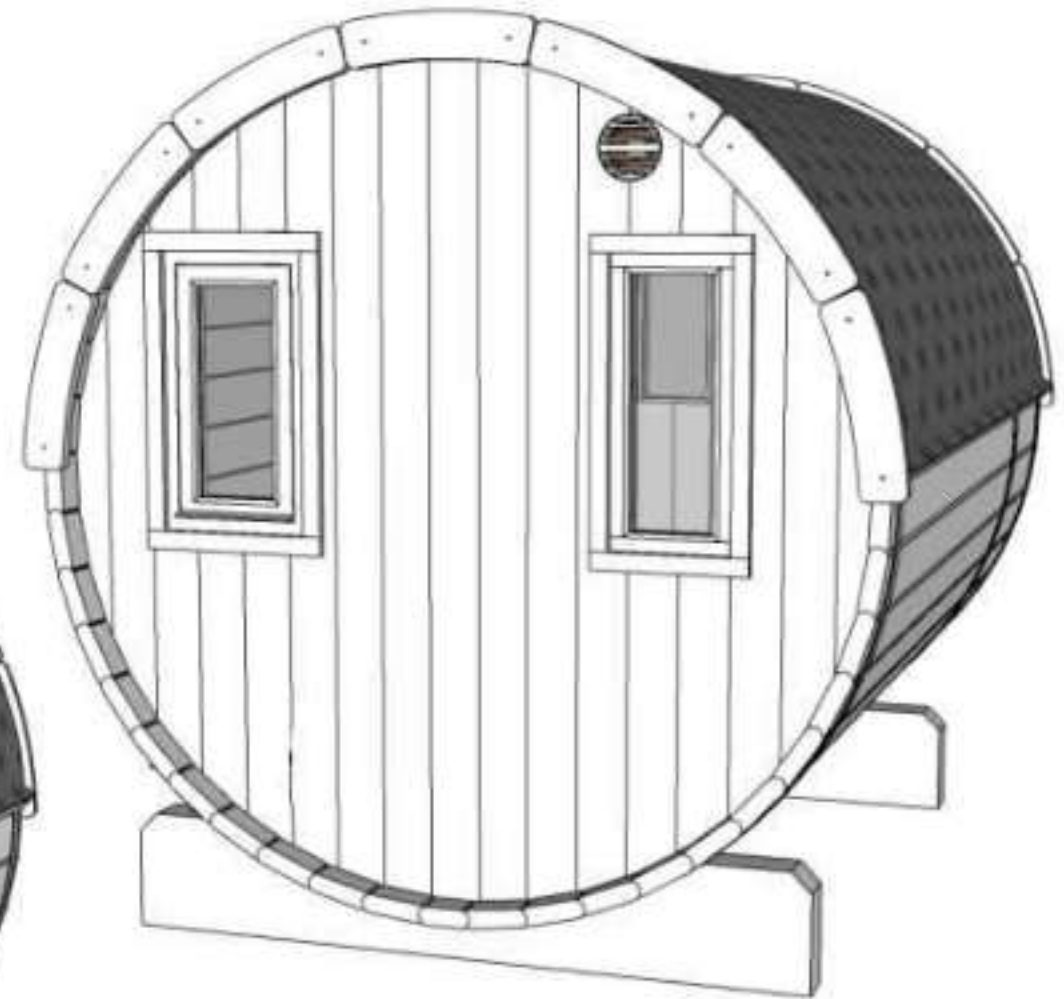
# COUNTRYWOOD



# Sauna 250, D205

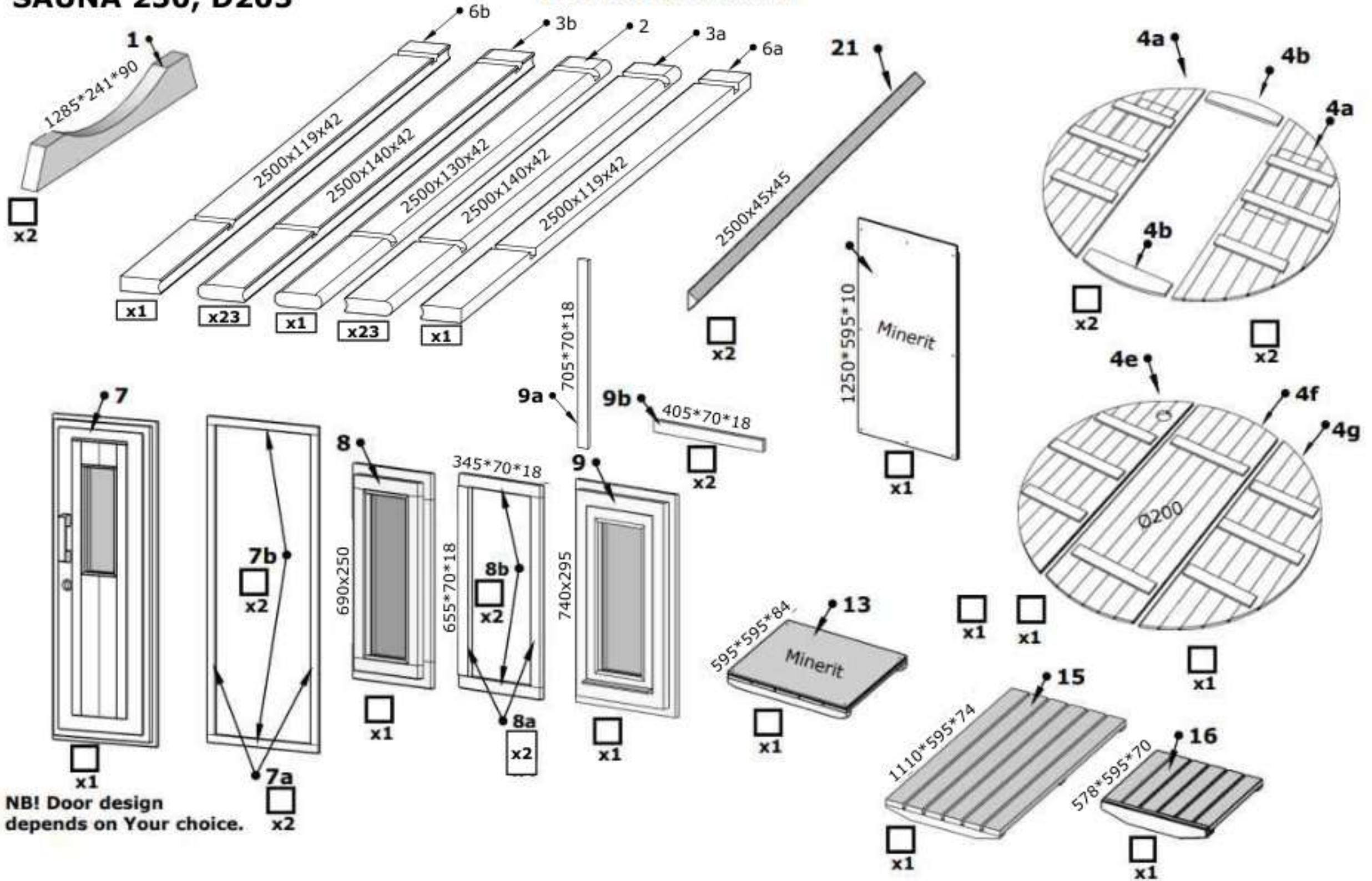
**Please read the whole manual  
before You start.**

**All given measurements  
are in millimeters.**



# SAUNA 250, D205

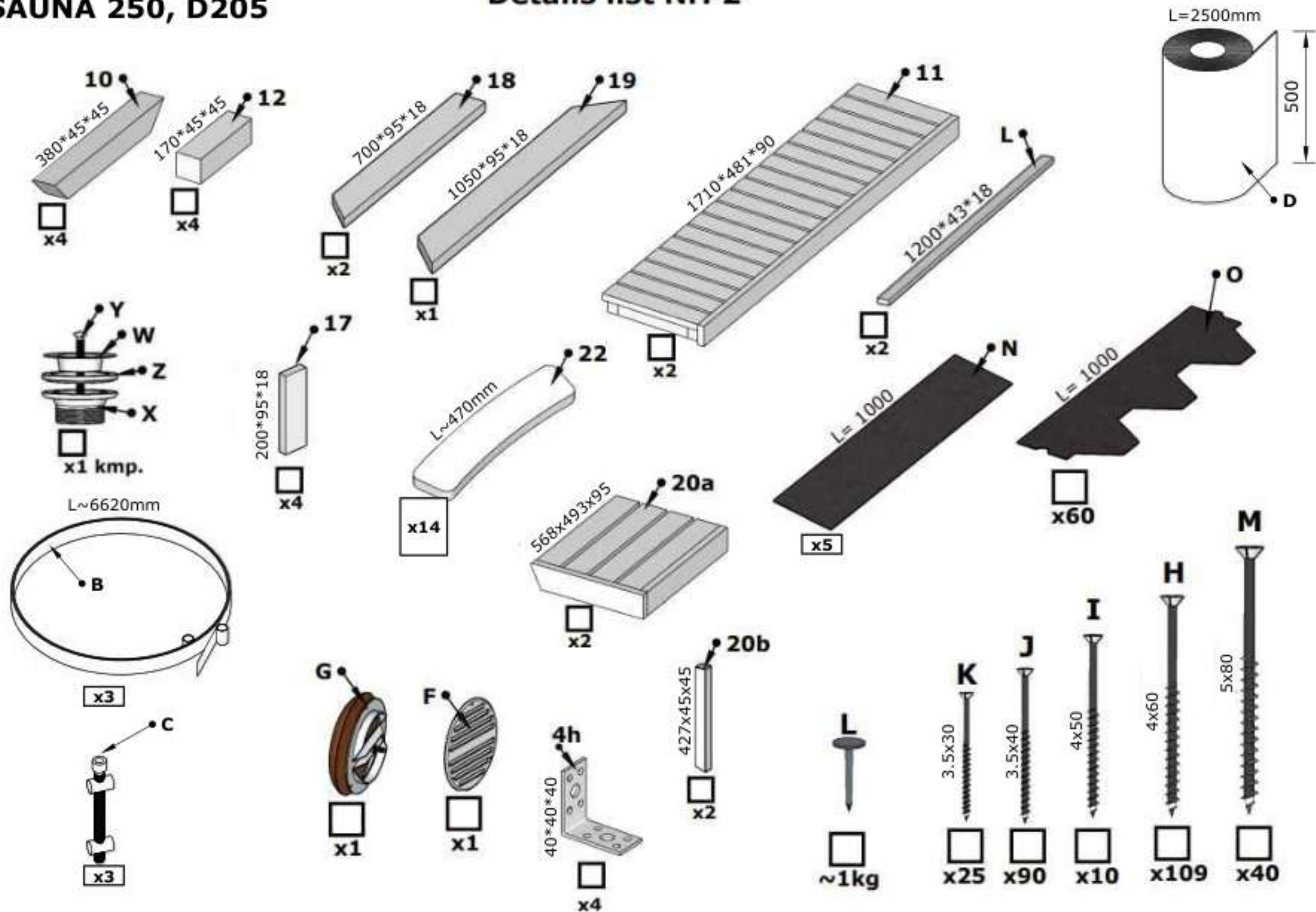
## Details list Nr. 1



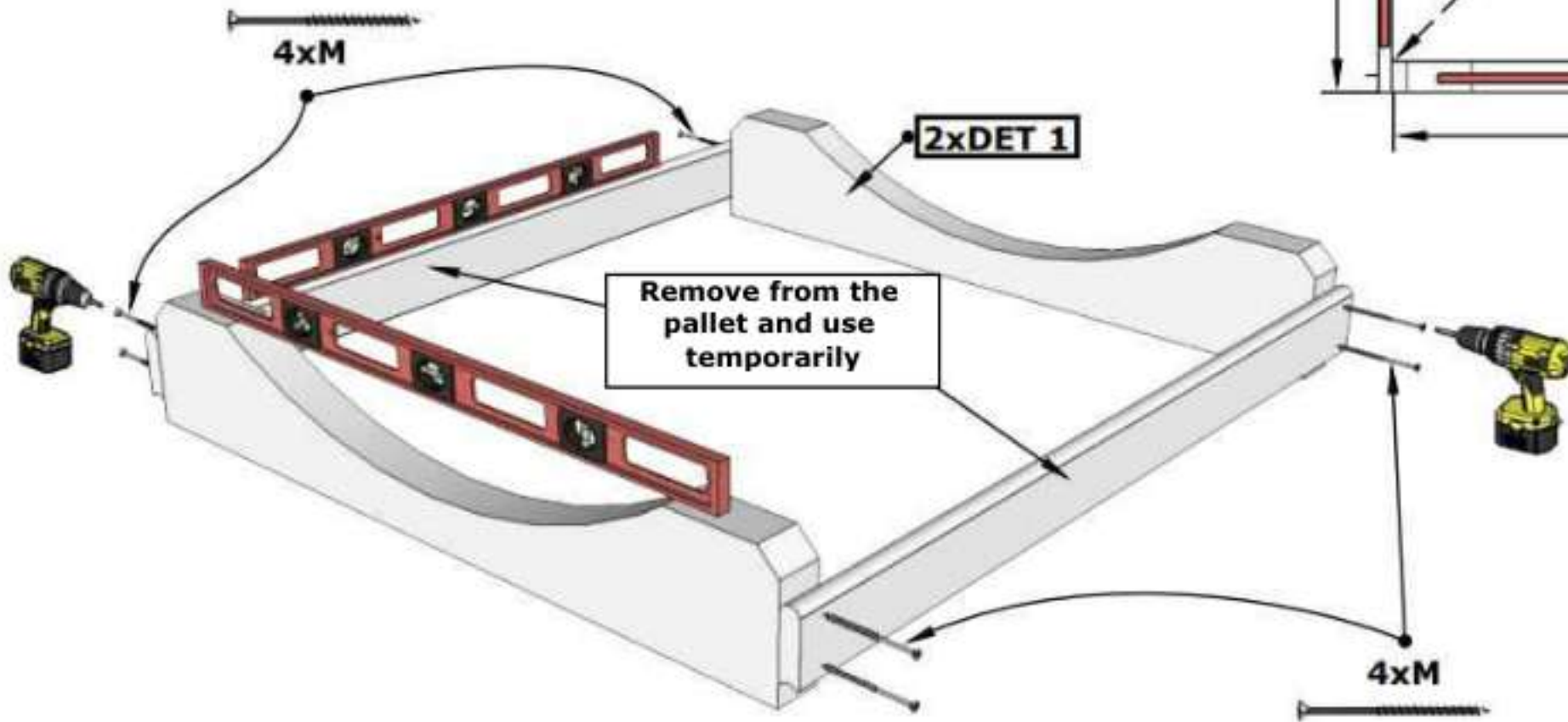
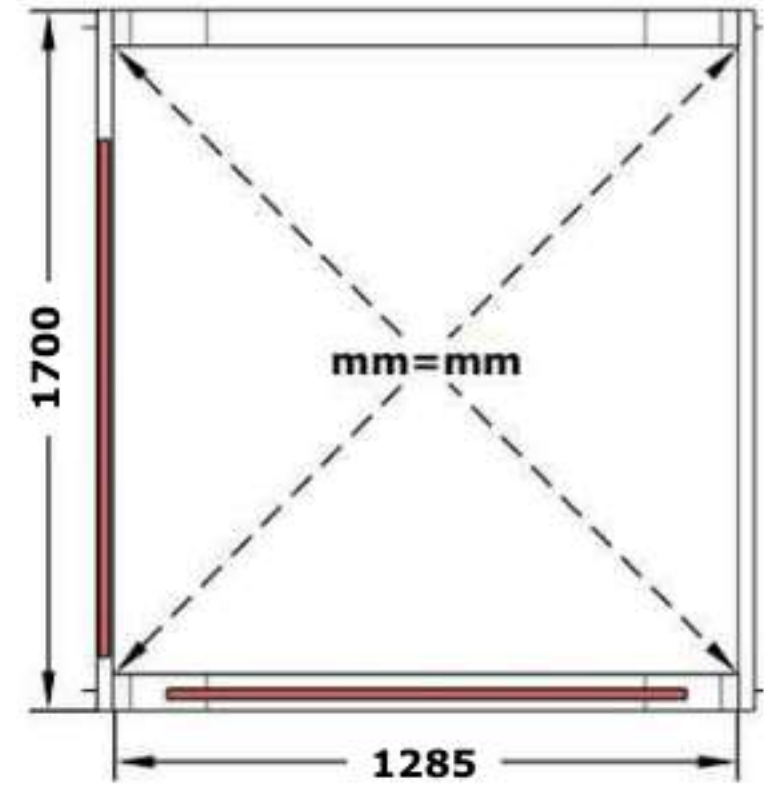
NB! Door design depends on Your choice.

# SAUNA 250, D205

## Details list Nr. 2

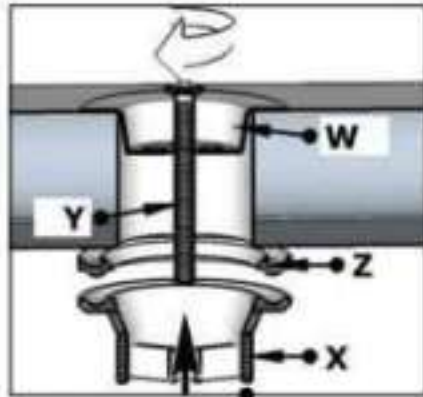
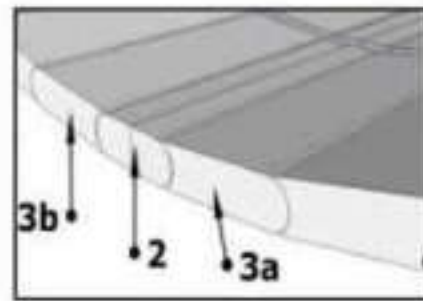
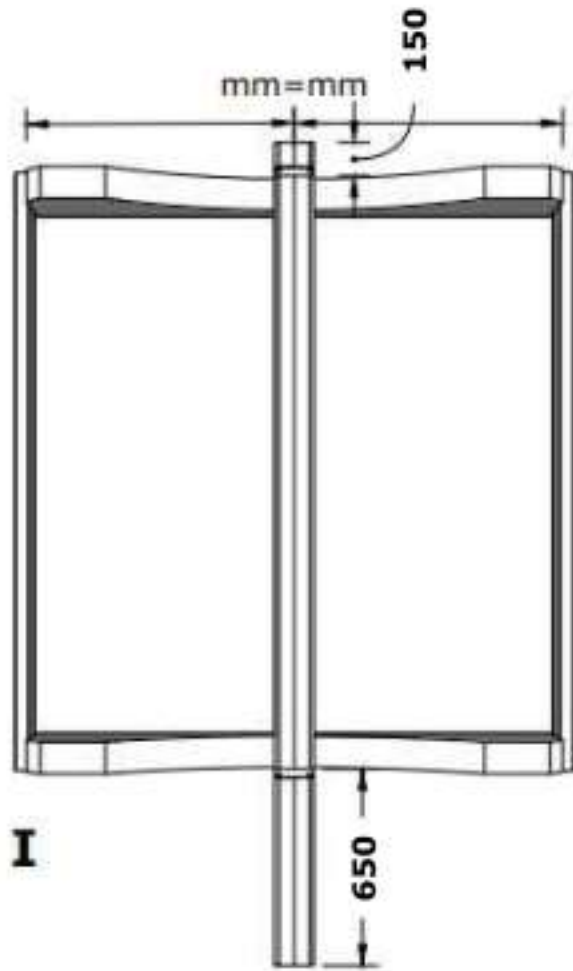


# SAUNA 250, D205

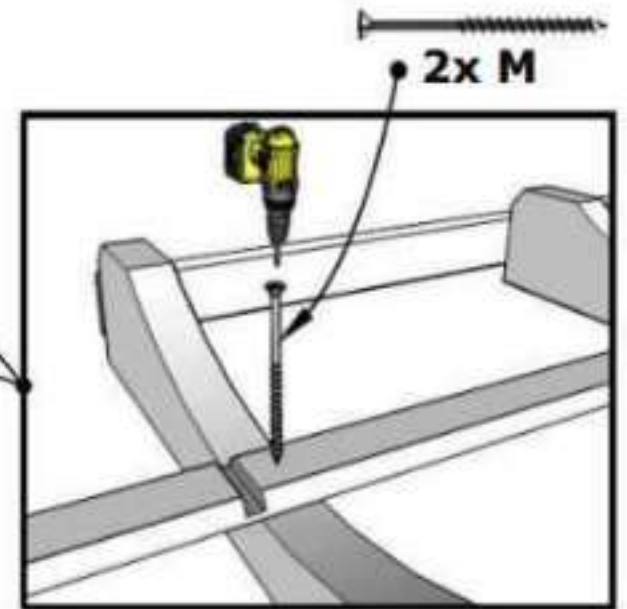
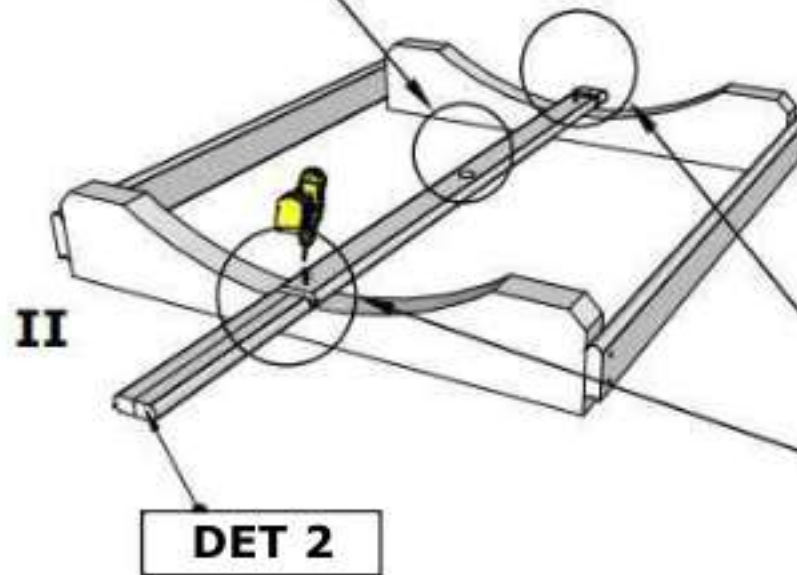
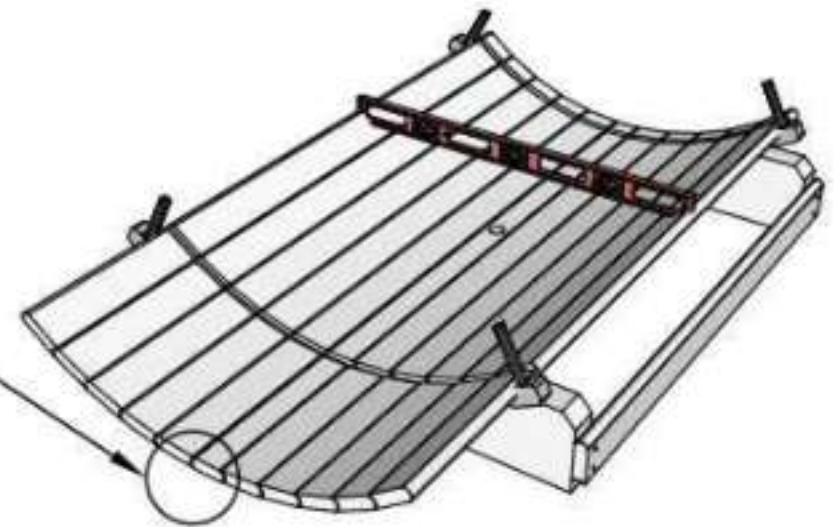


**1.**

SAUNA 250, D205

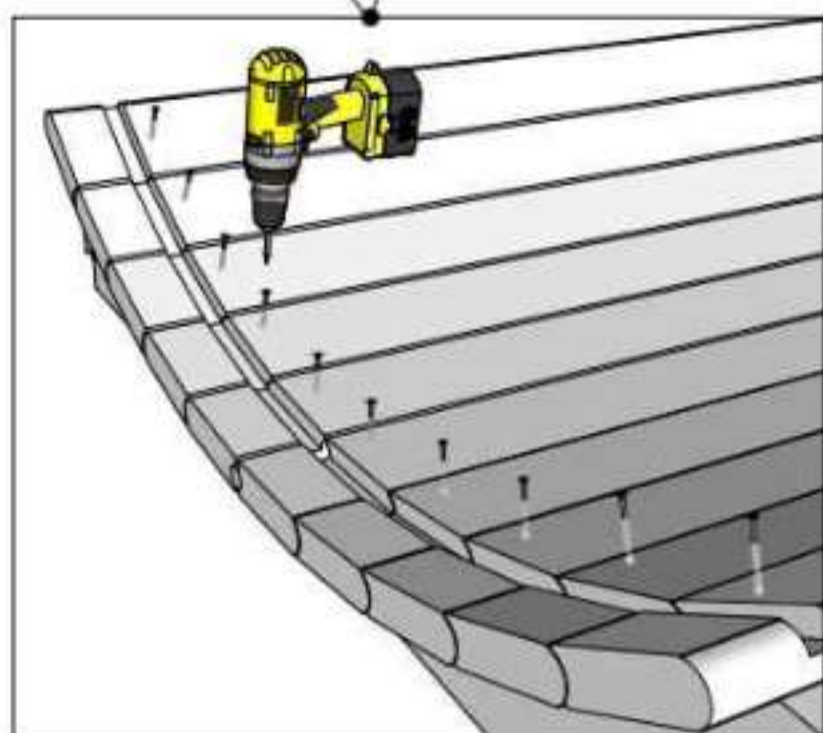
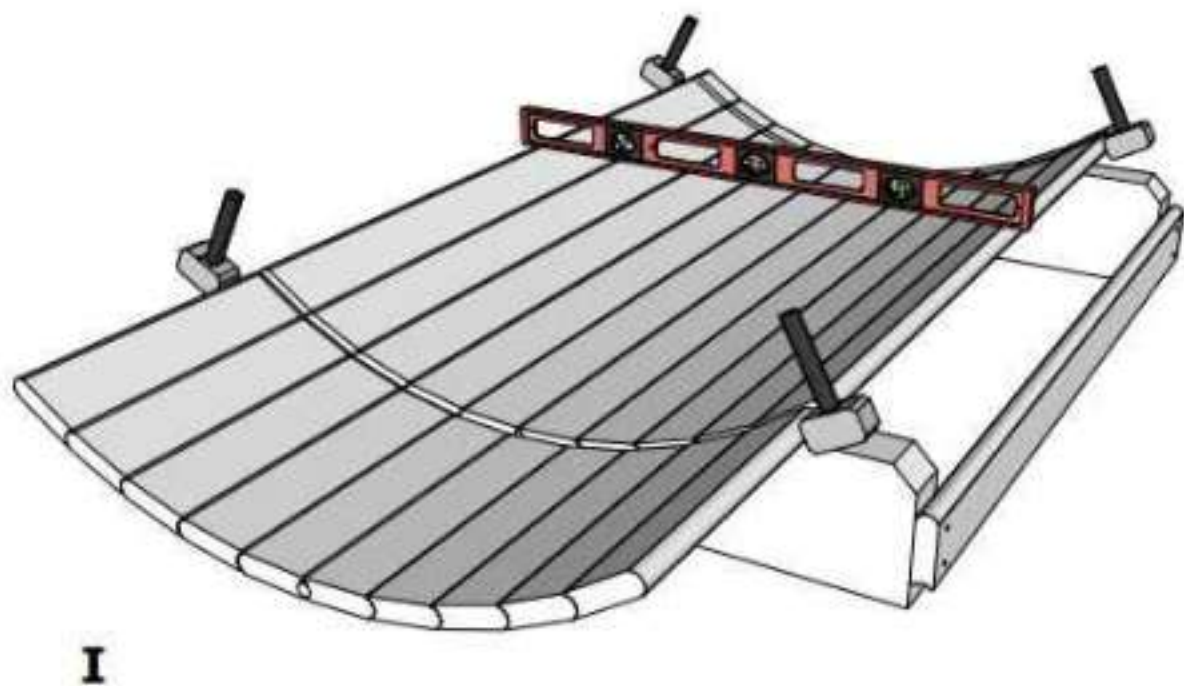
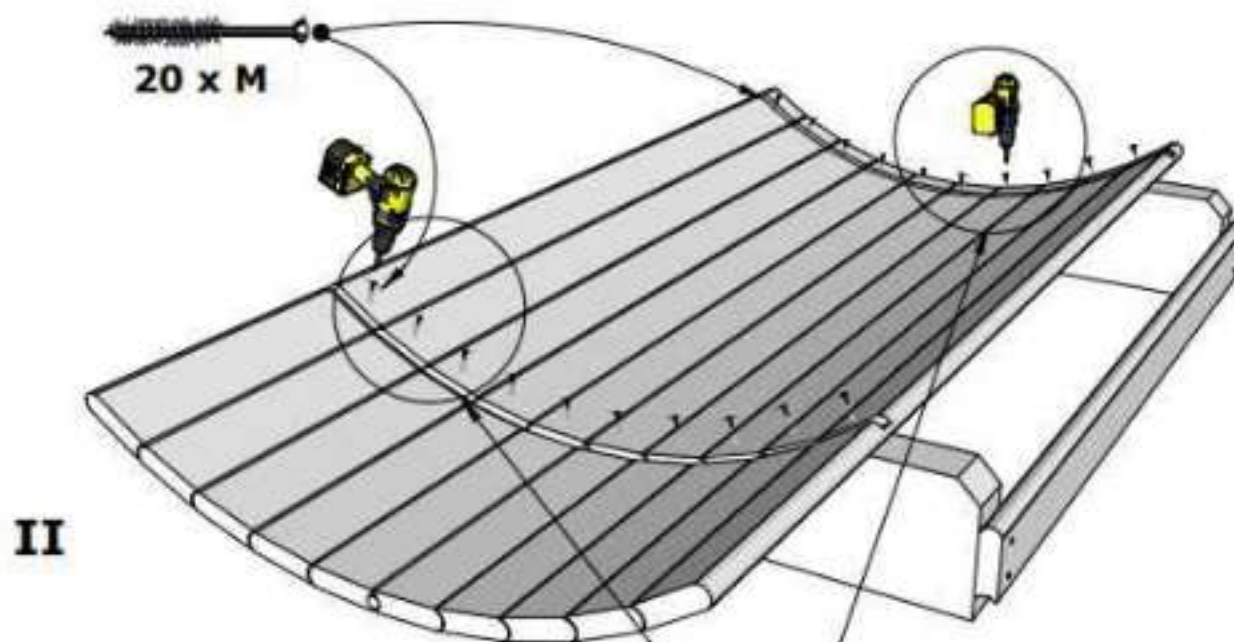


III



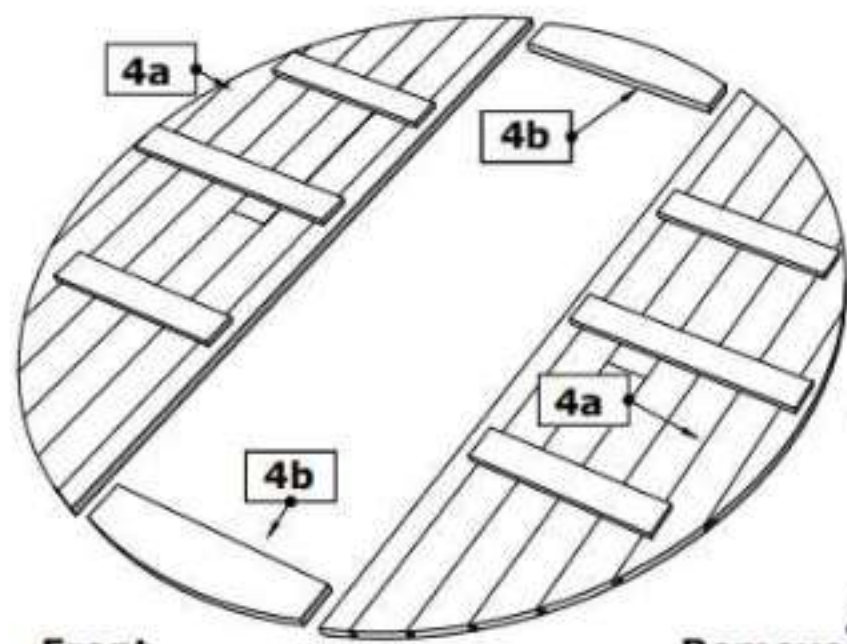
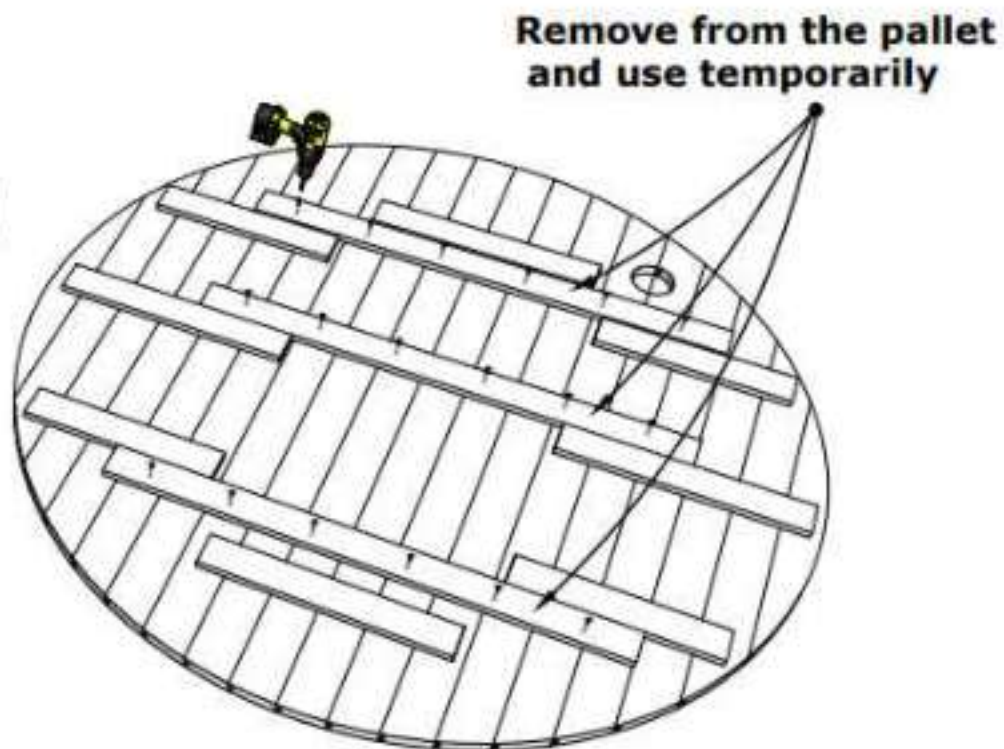
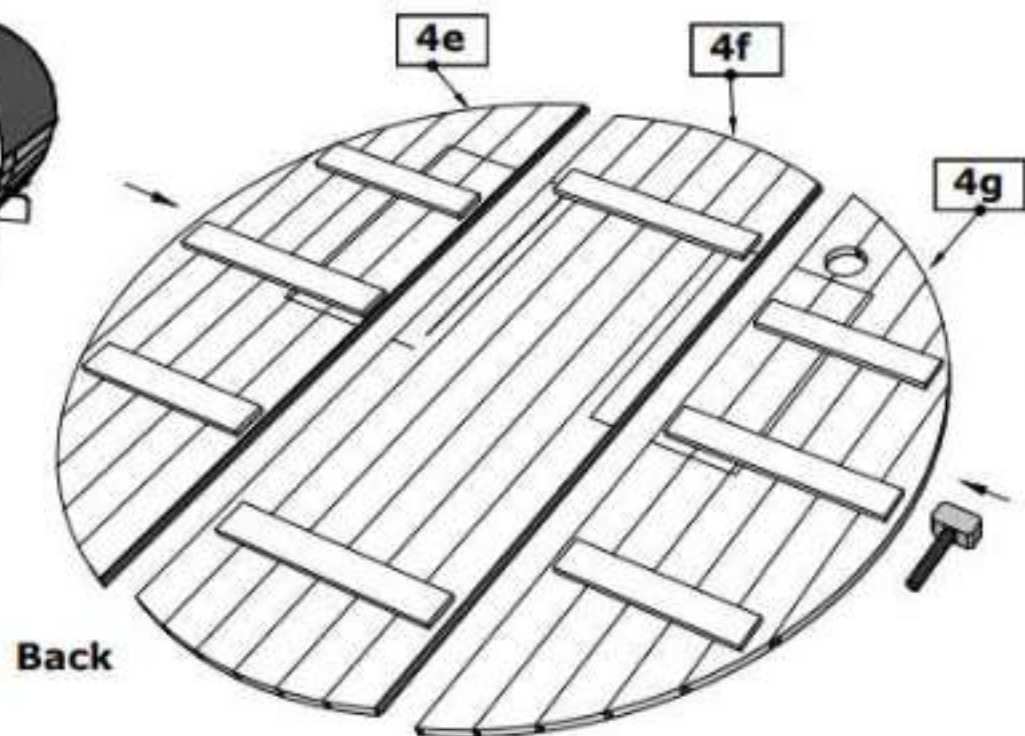
2.

SAUNA 250, D205



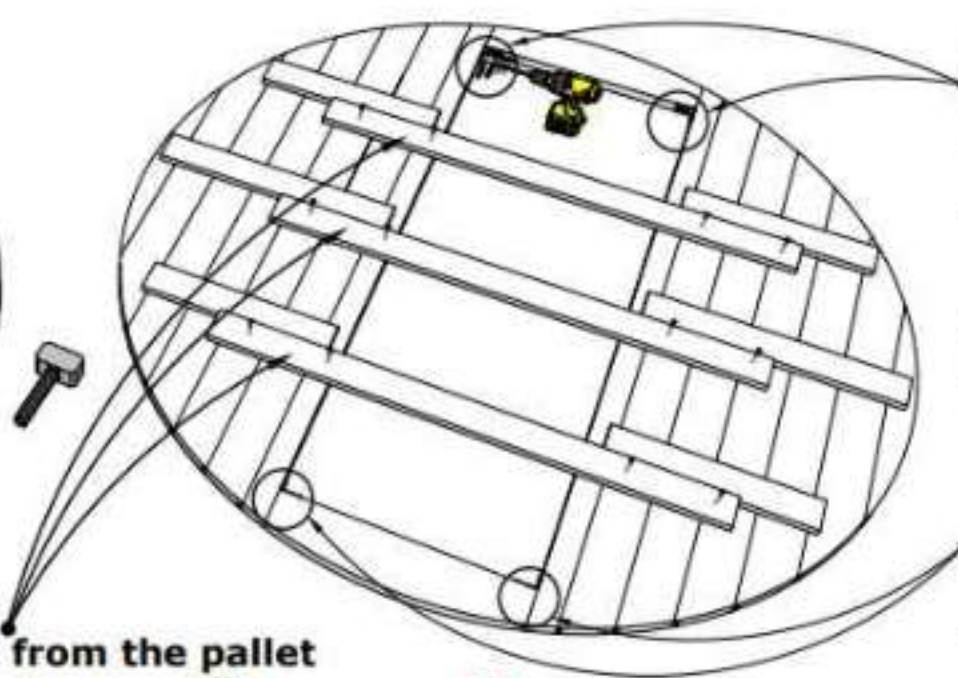
3.

SAUNA 250, D205

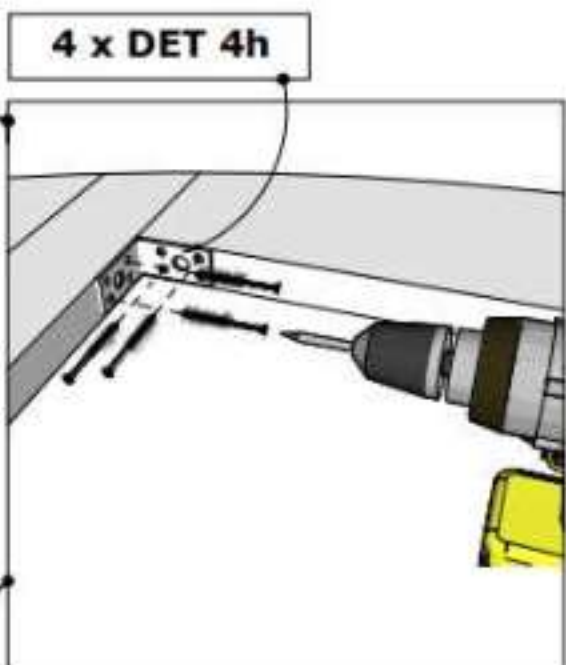


I

Remove from the pallet and use temporarily

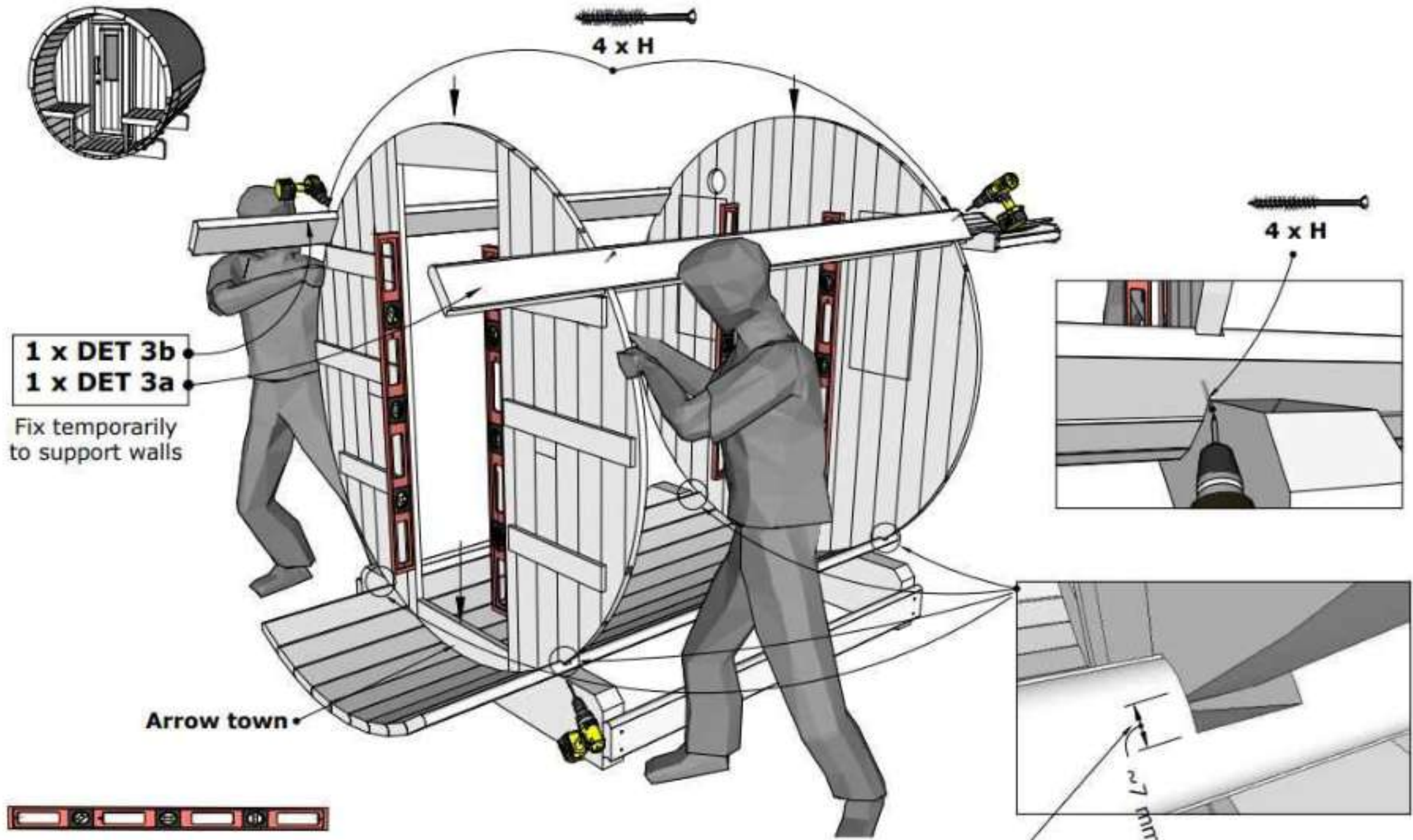


II



4.

# SAUNA 250, D205



Use waterlevel

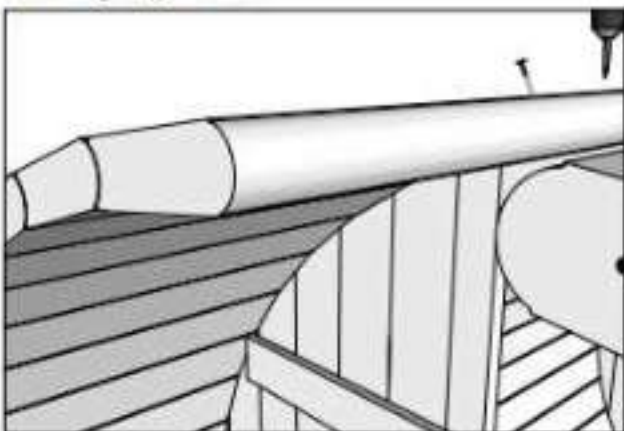
5.

SAUNA 250, D205



Remove

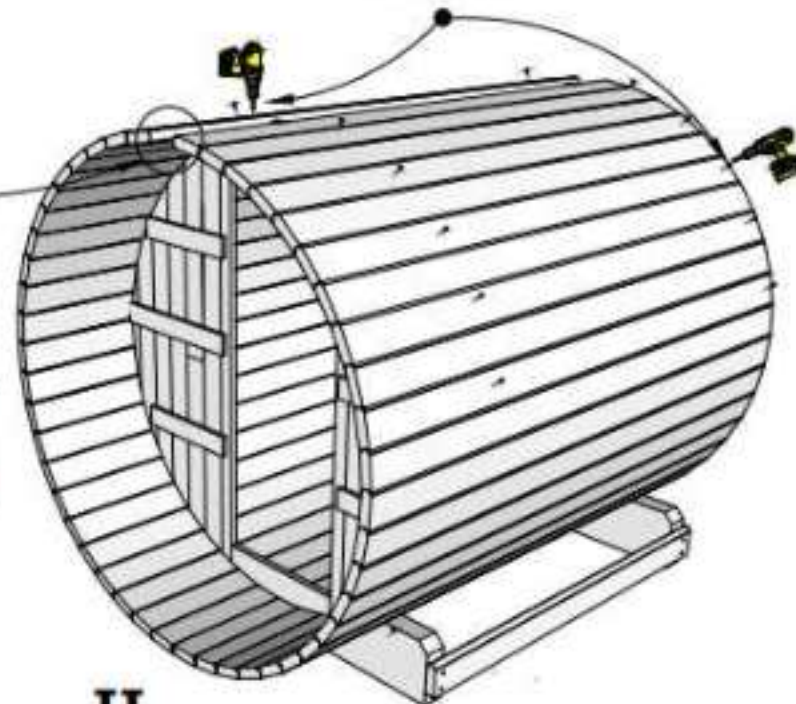
See page 6A



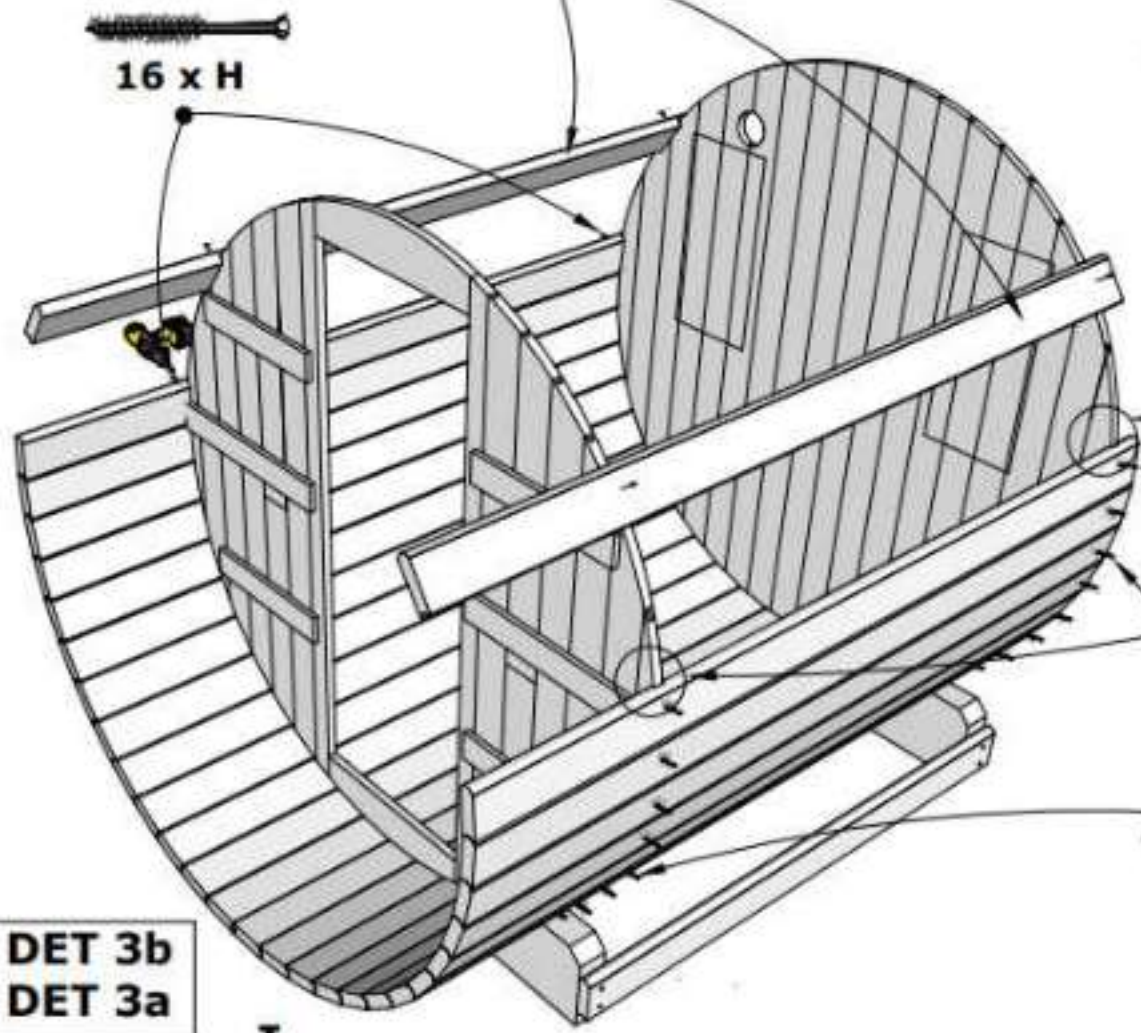
10 x DET 3b  
9 x DET 3a



16 x H



II

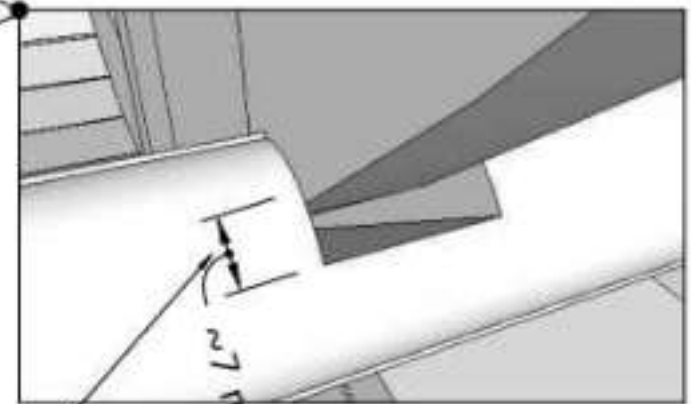


16 x H

16 x H

8 x DET 3b  
8 x DET 3a

I

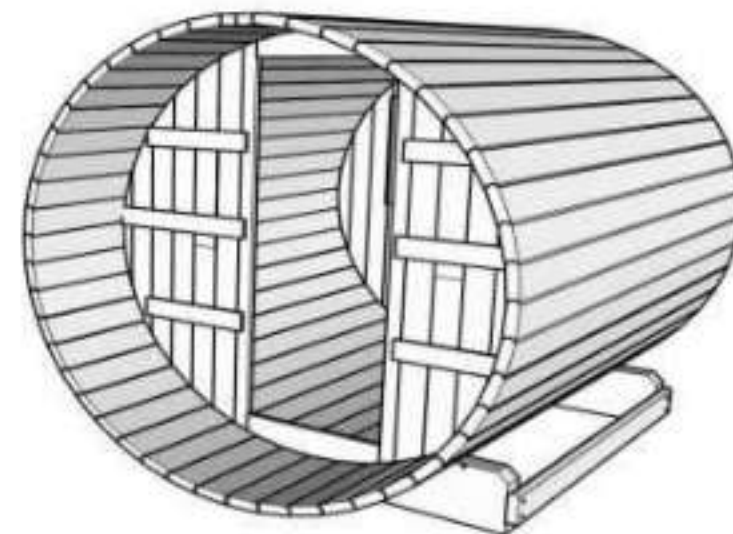
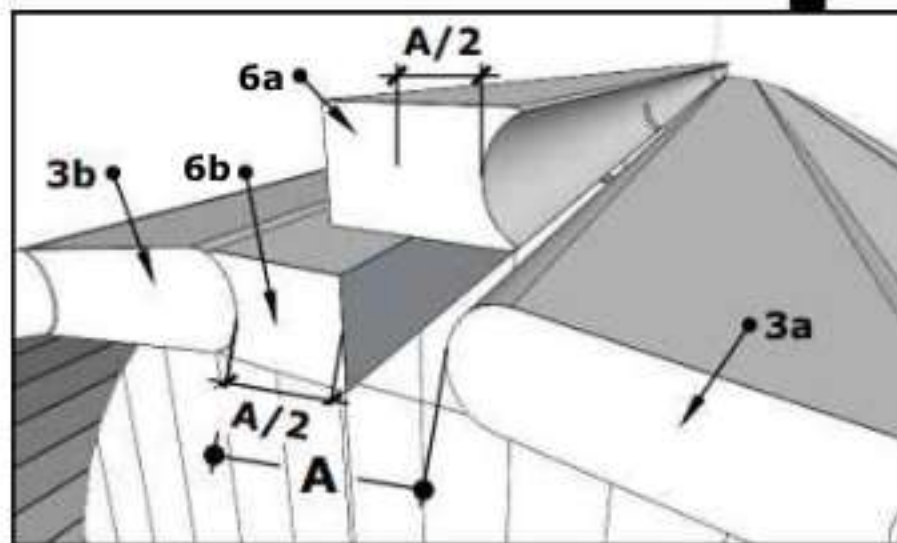
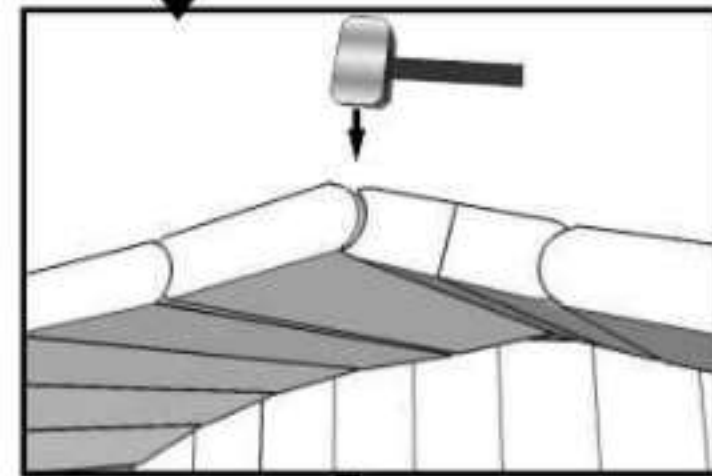
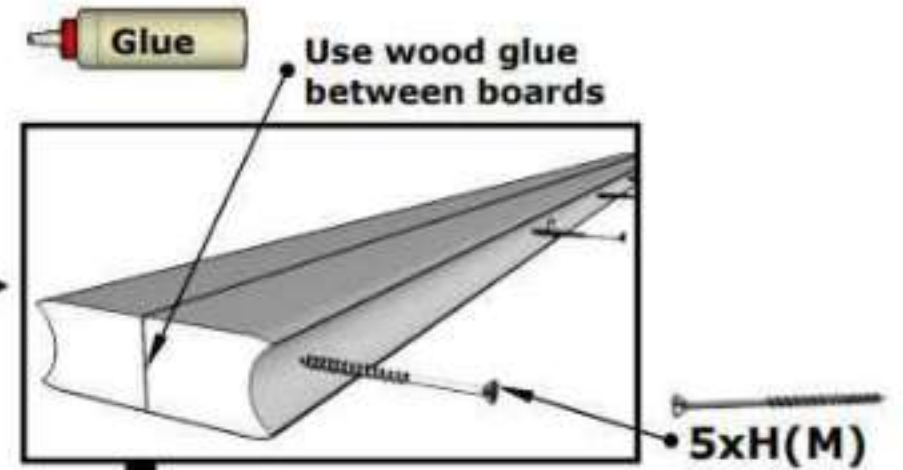
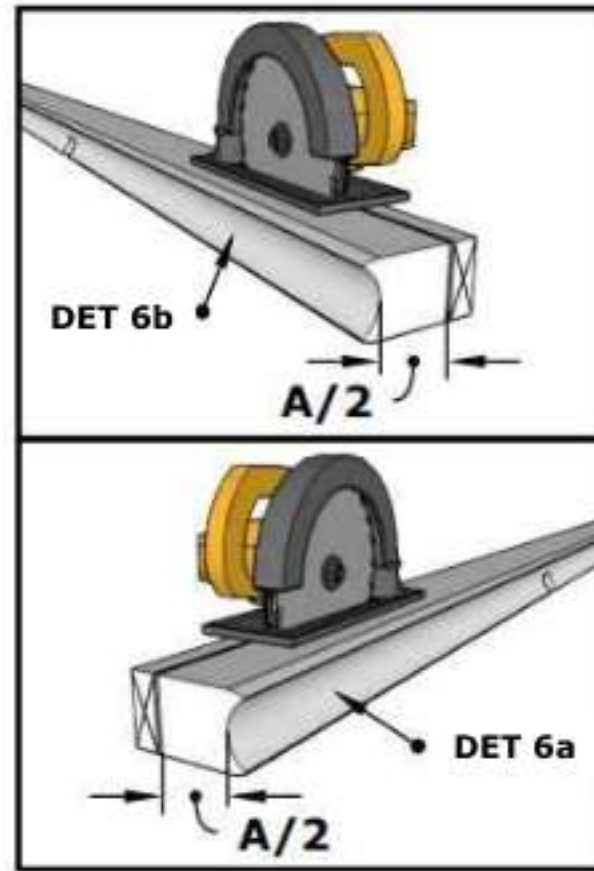


~7 mm

Important!  
Leave space

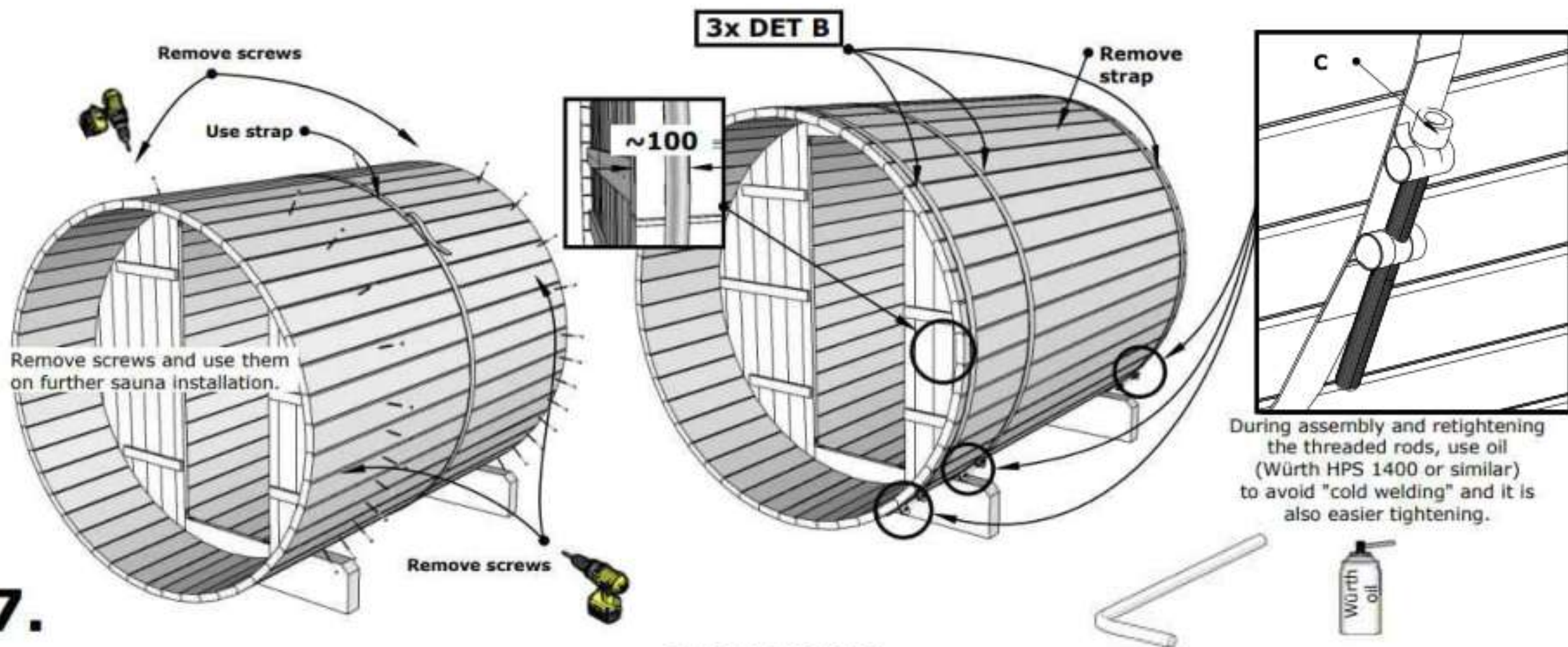
6.

SAUNA 250, D205



6A.

# SAUNA 250, D205



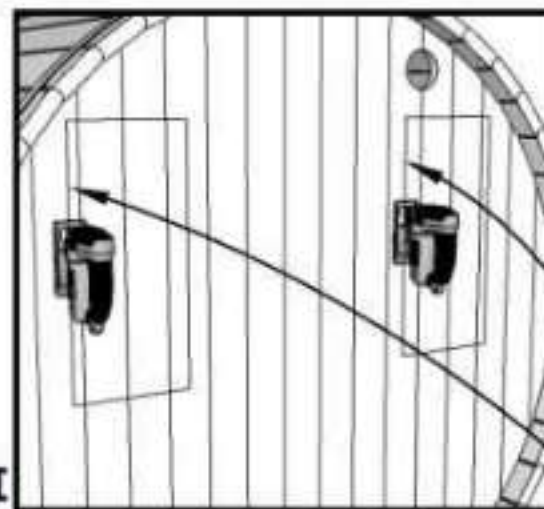
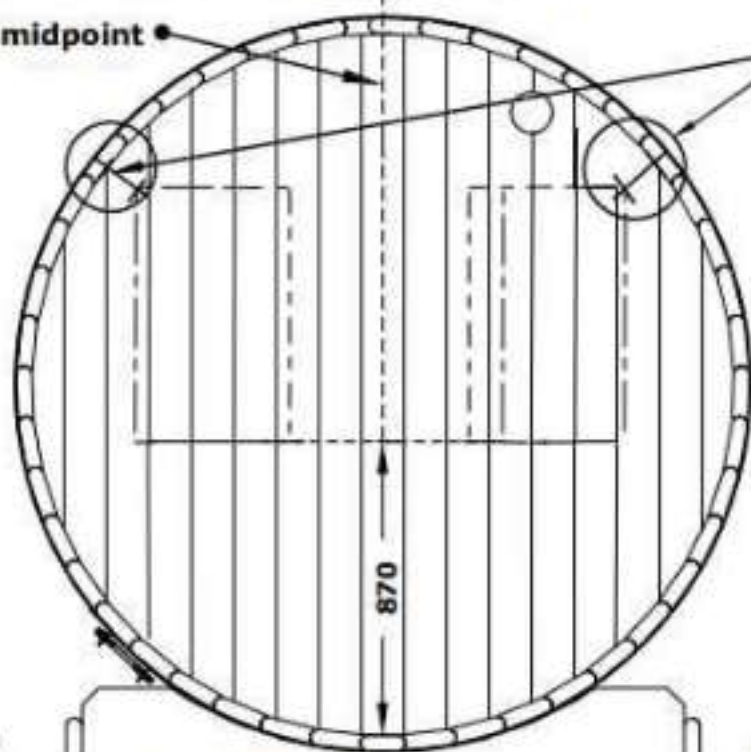
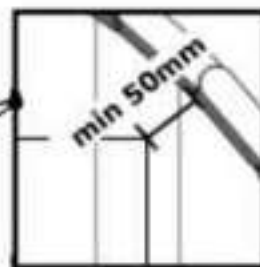
**7.**

**SAUNA 250, D205**



Mark windows openings.

Wall midpoint



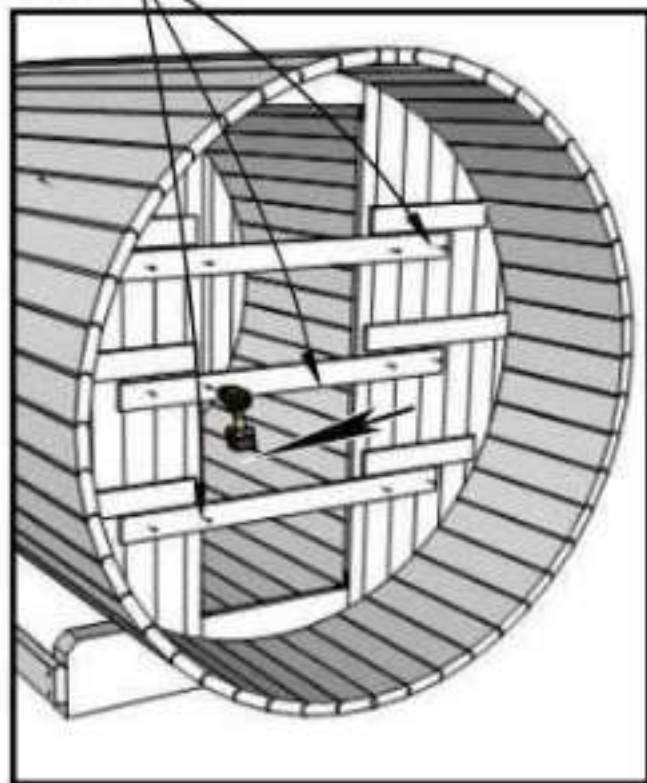
Before cutting, check windows opening and measure the windows! Add 10 mm to each side of the window and cut.

II

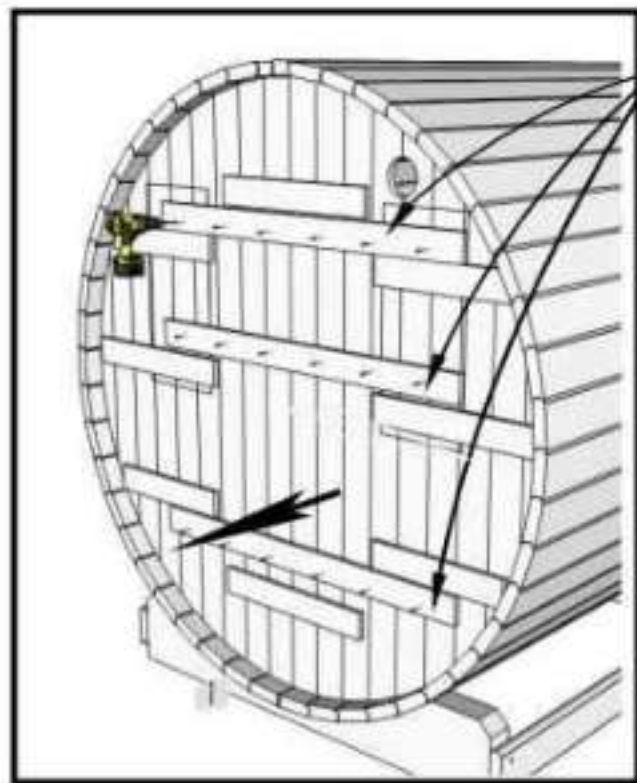
Back wall

III

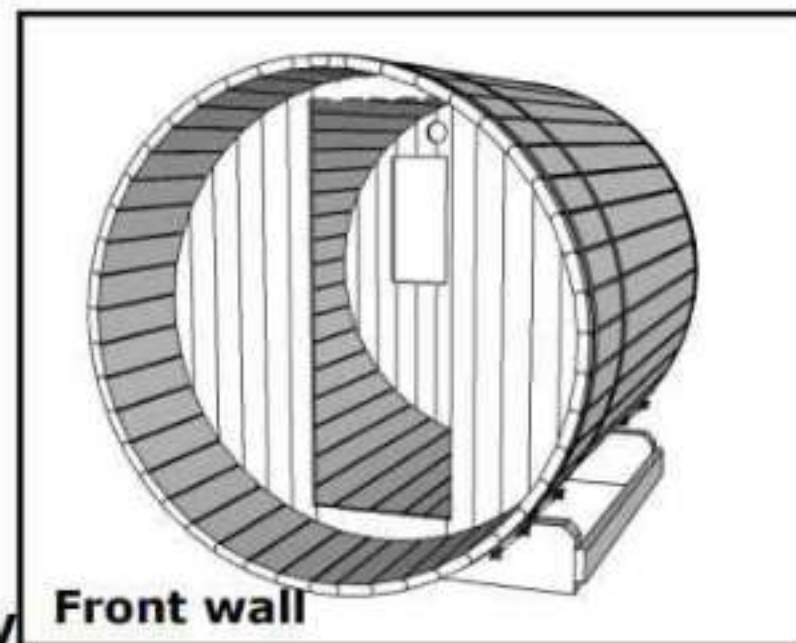
Remove all brackets



Remove all brackets



Cut out, follow the guidelines.



IV Front wall

8. I

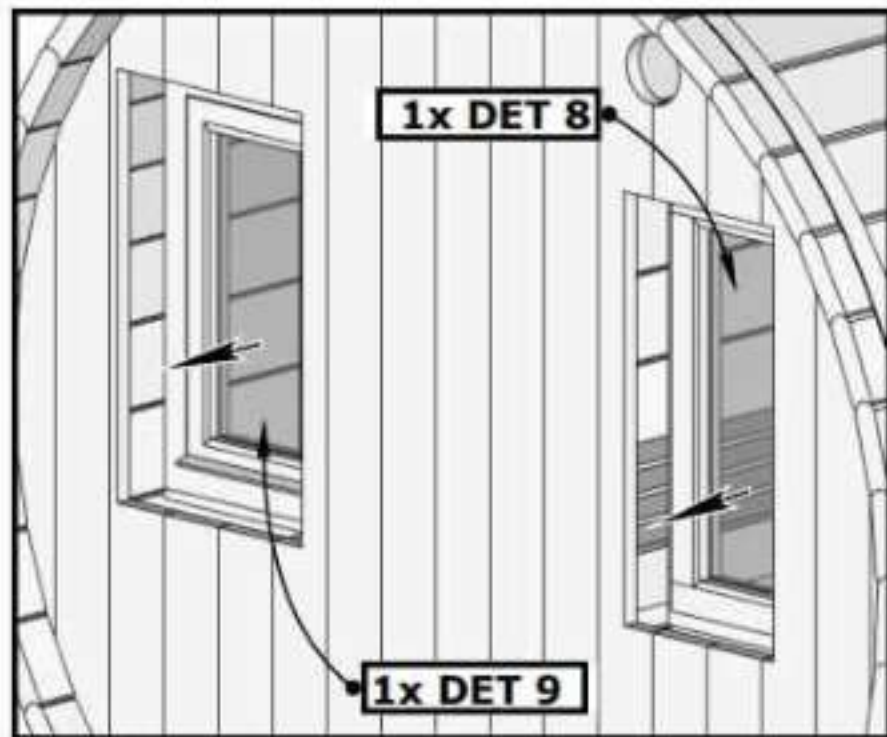
# SAUNA 250, D205



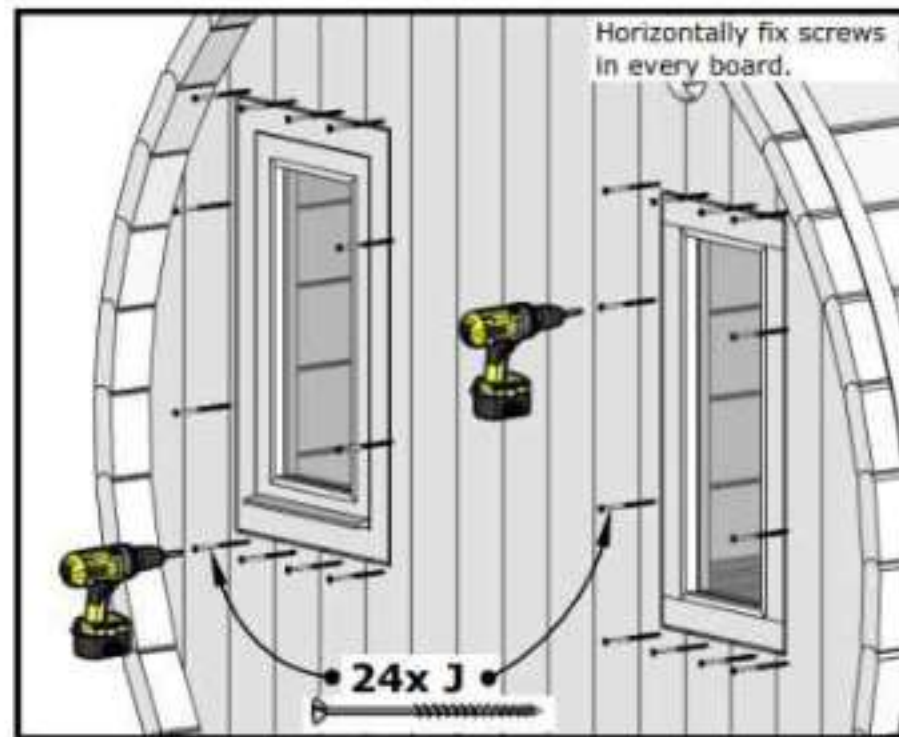
Use waterlevel for windows installation

NB! Place windows from inside.

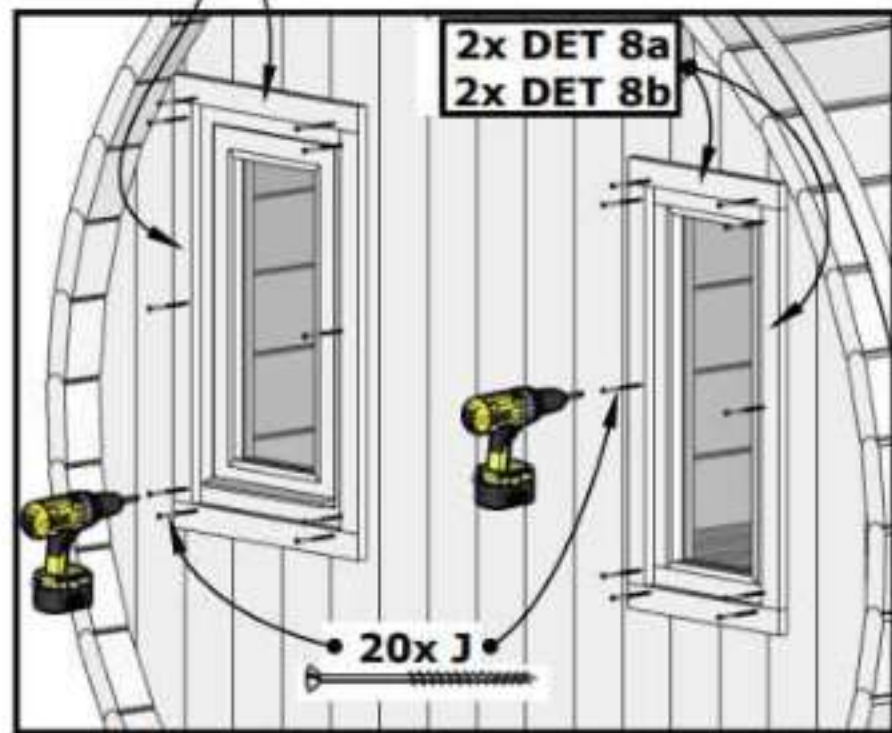
2x DET 9a  
2x DET 9b



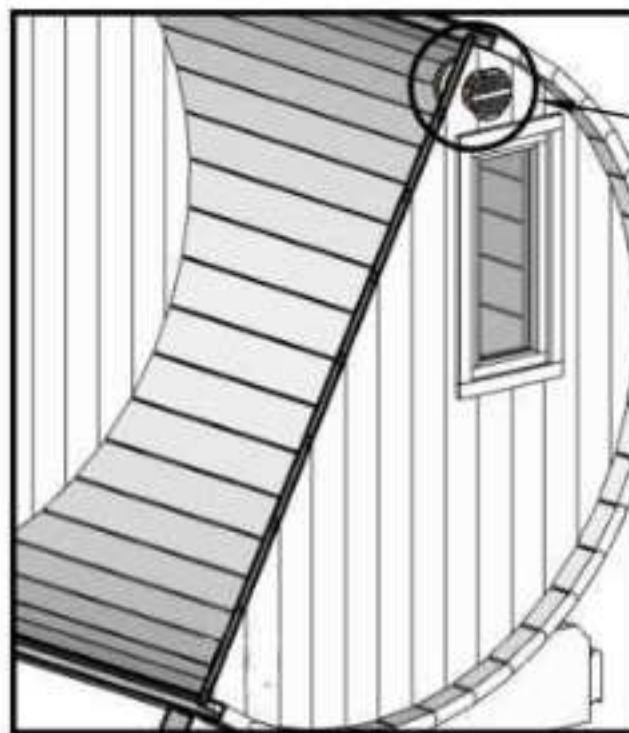
I



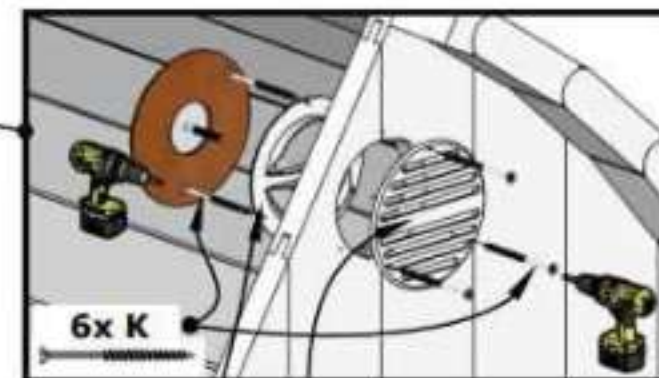
II



III



IV

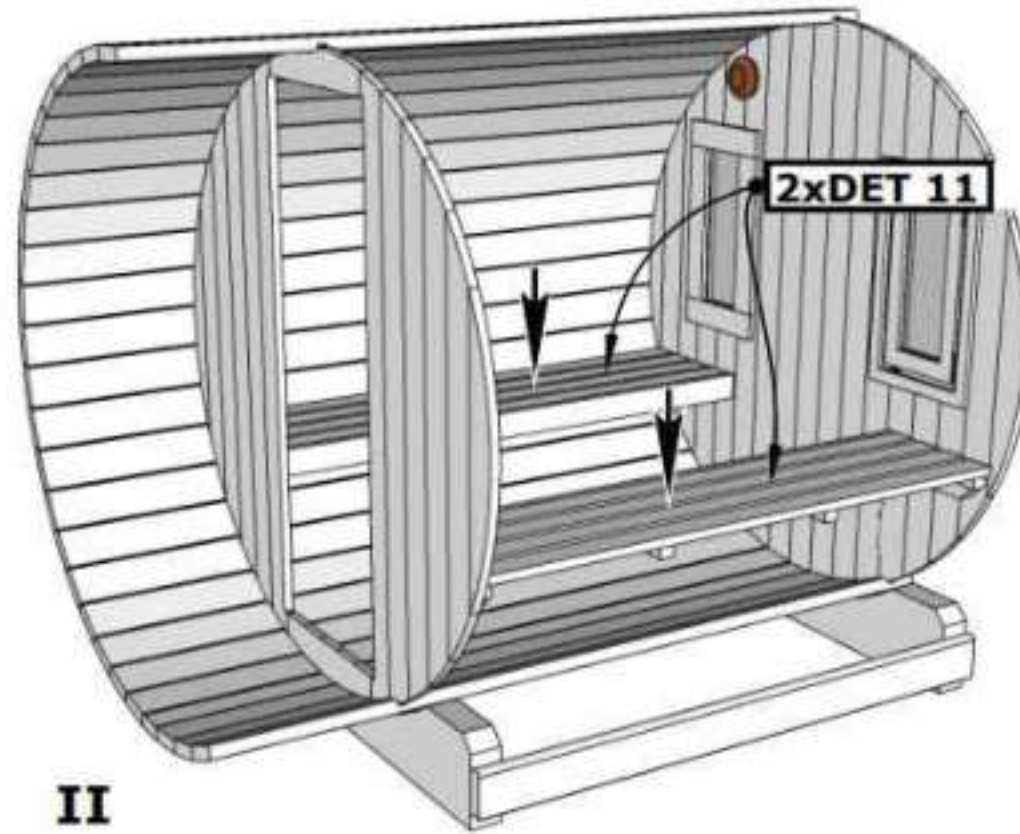


1x DET G

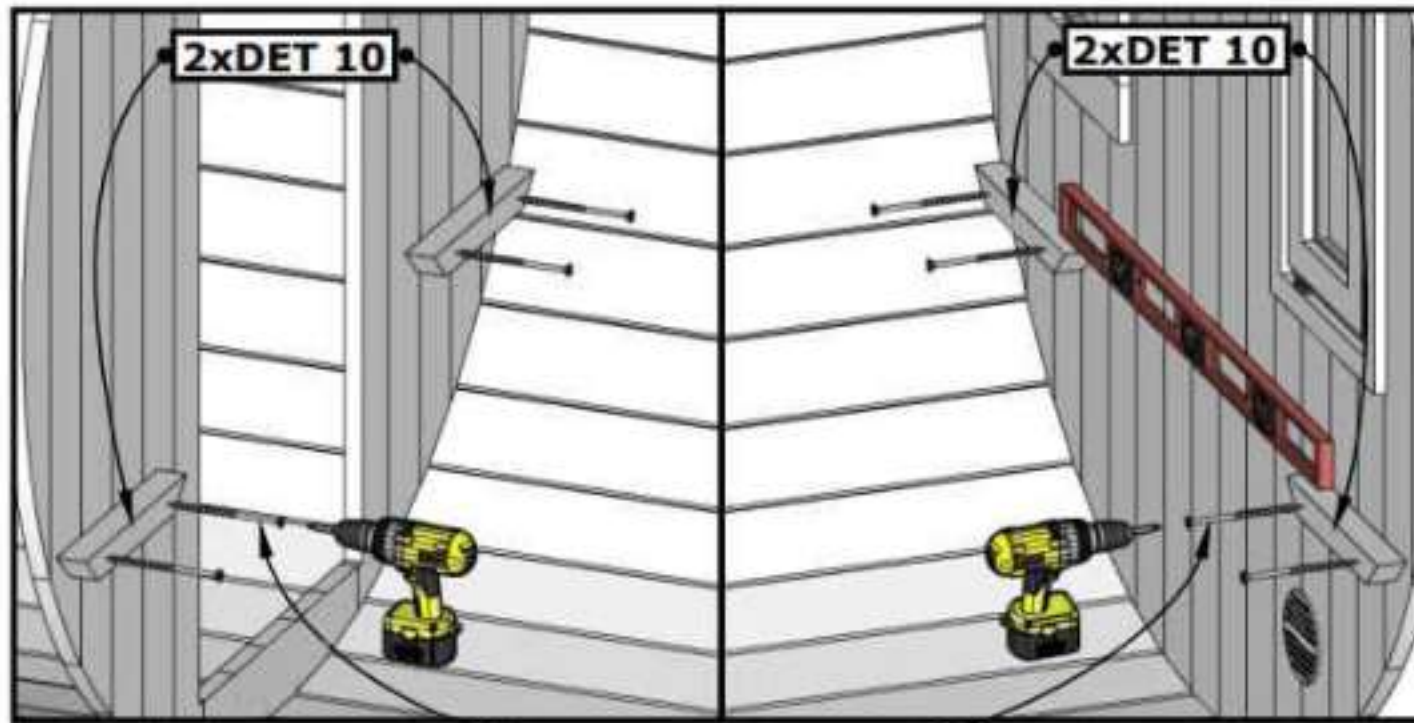
1x DET F

9.

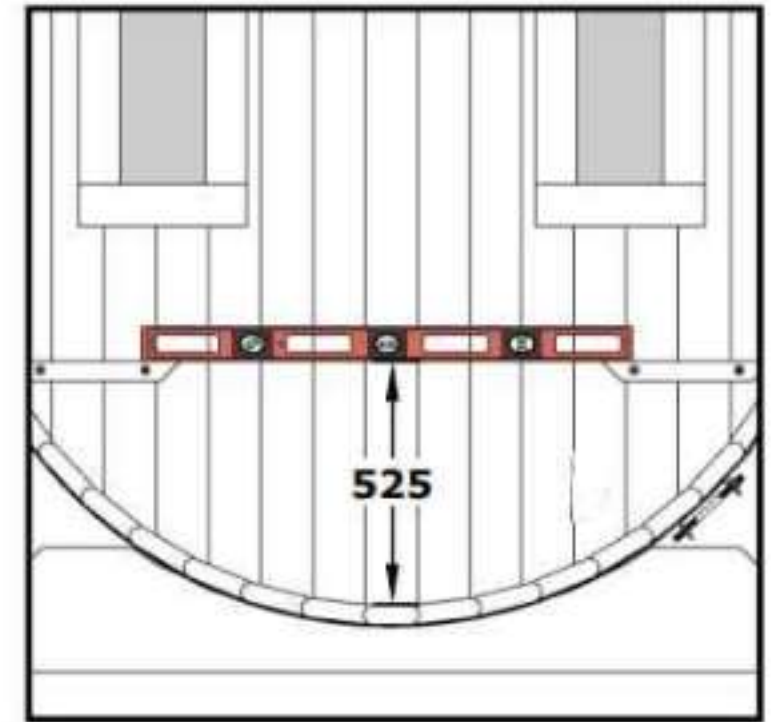
SAUNA 250, D205



II



I

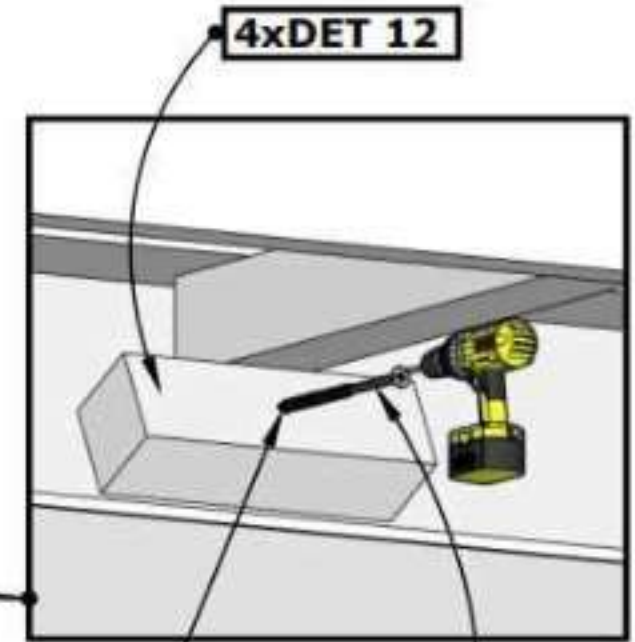
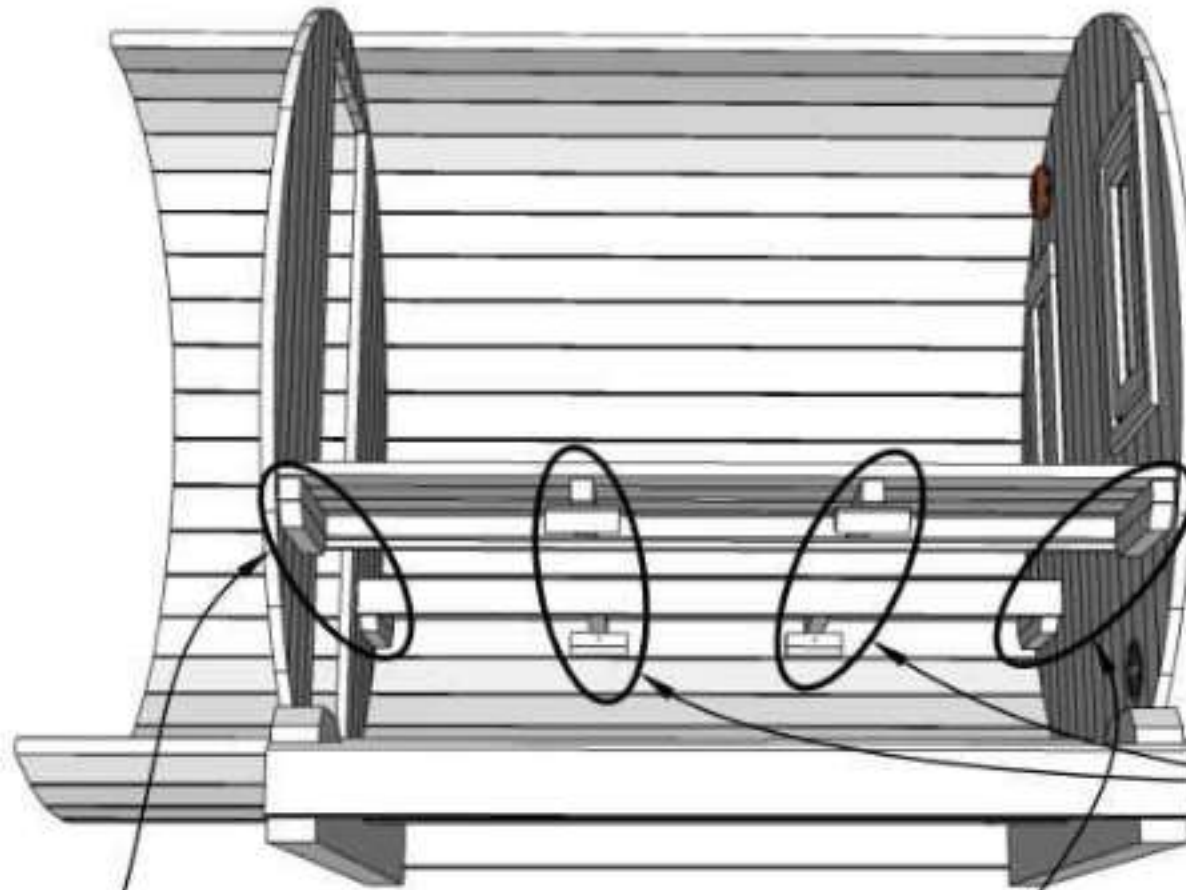


525



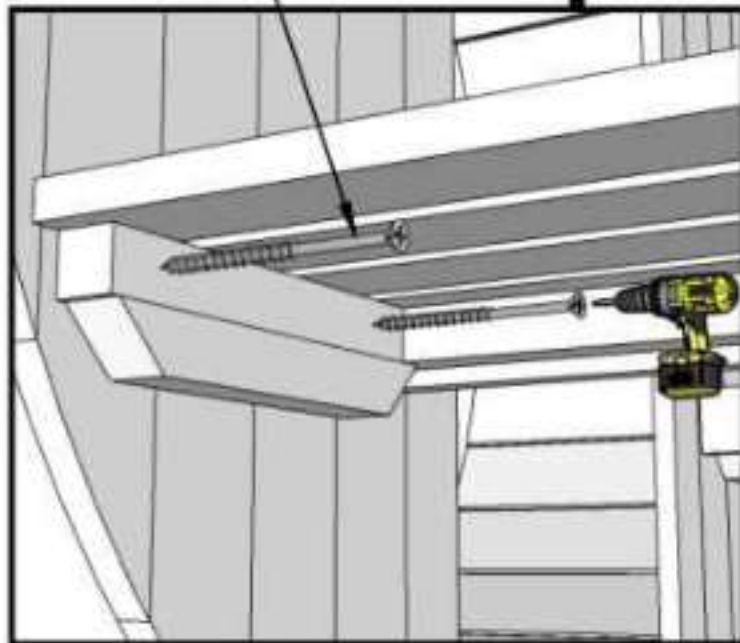
10.

SAUNA 250, D205

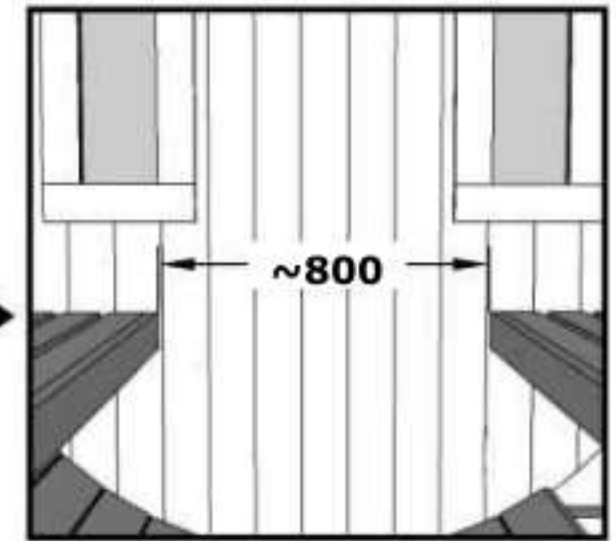
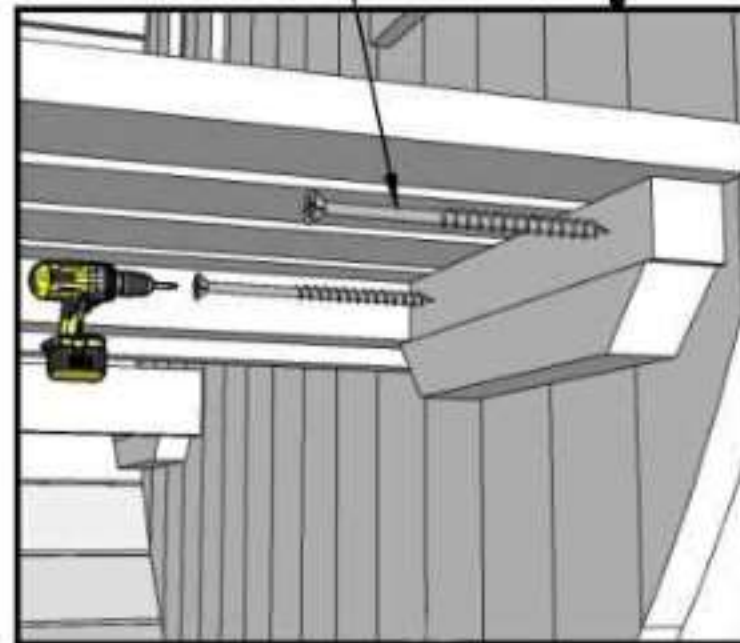


Drill holes  $\text{\O}4\text{mm}$  before screws

4x H

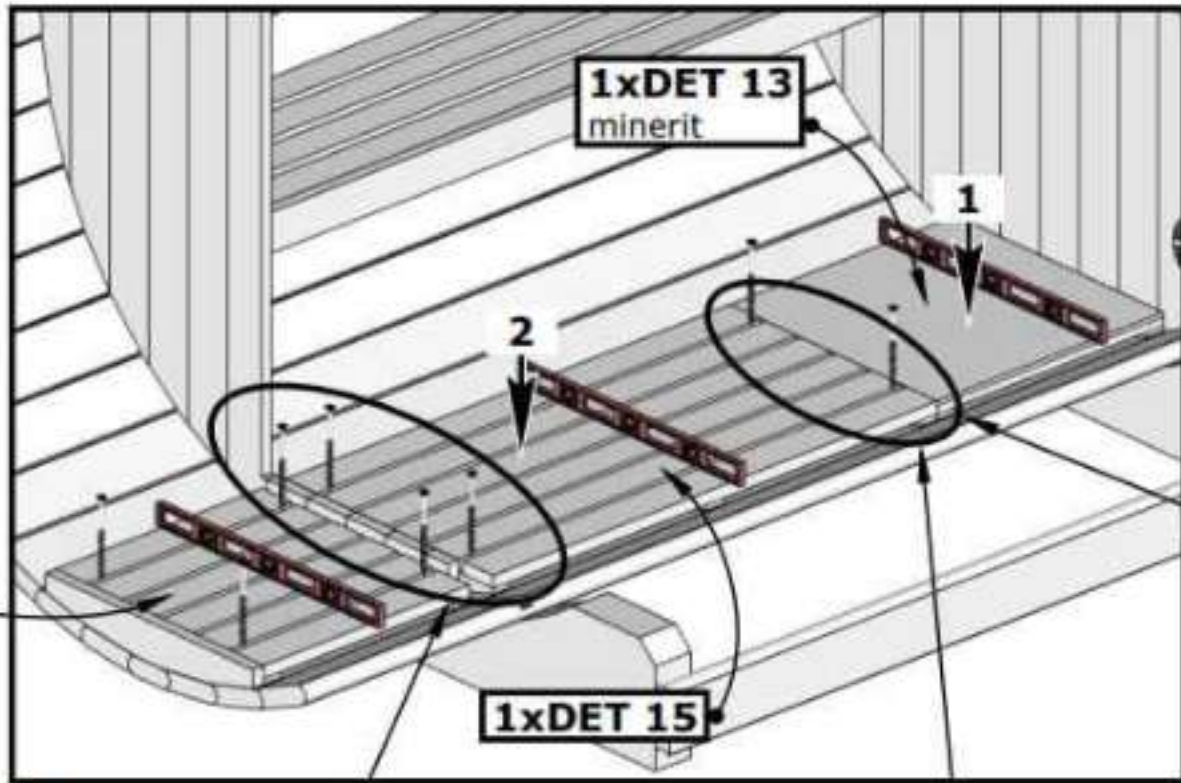


4x H

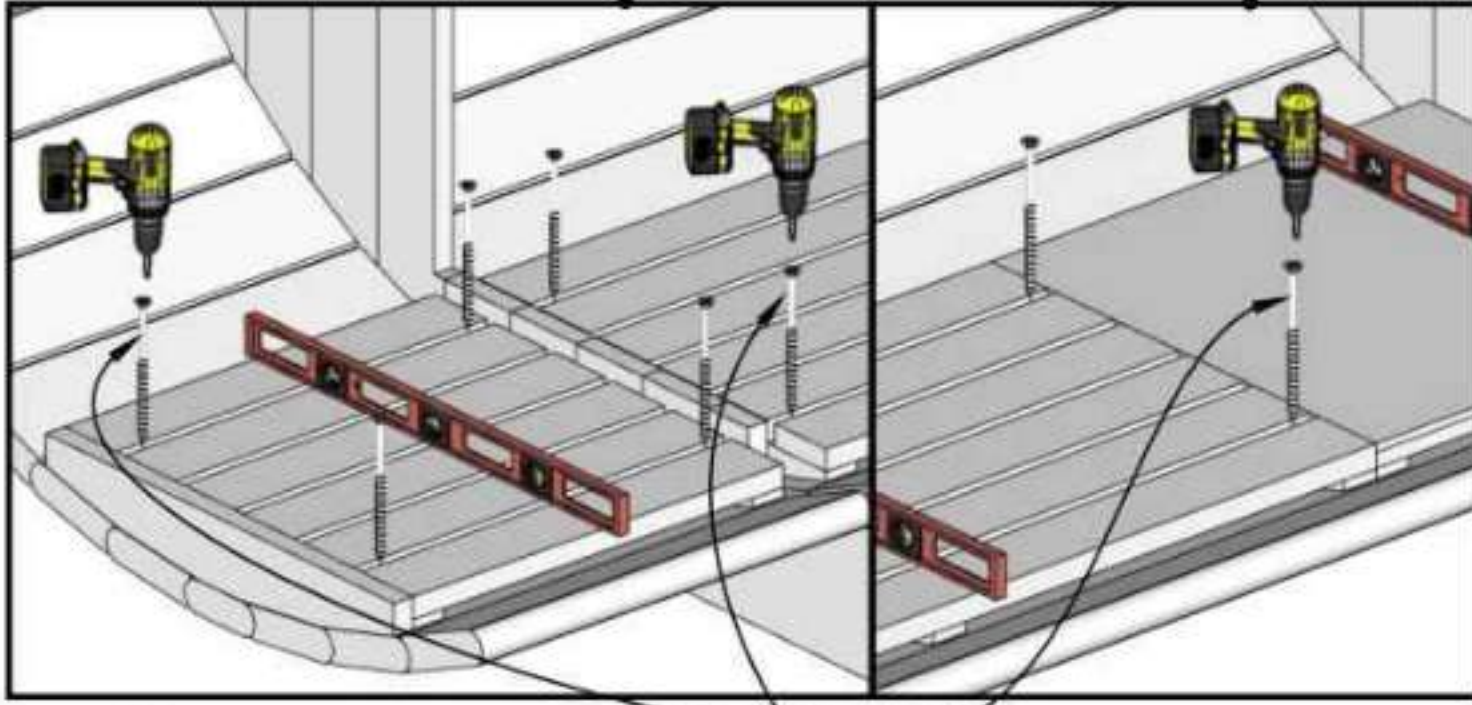
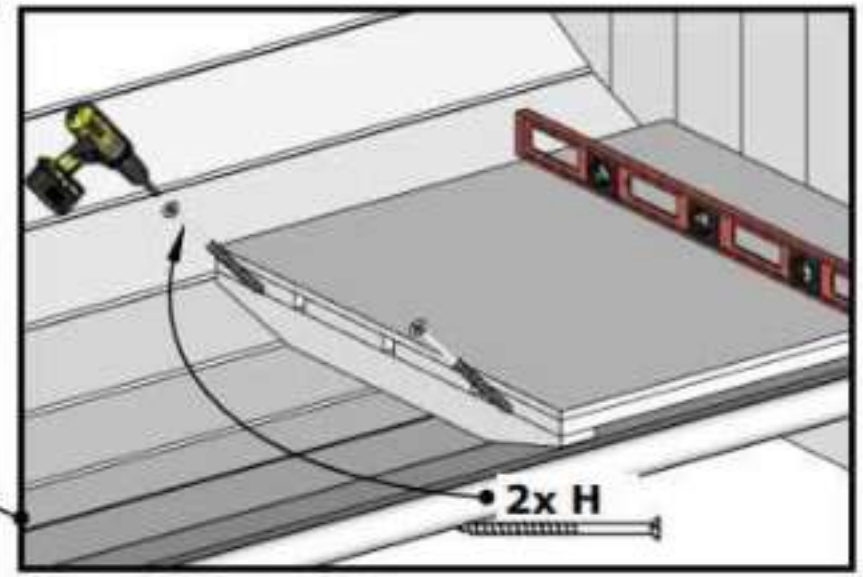


11.

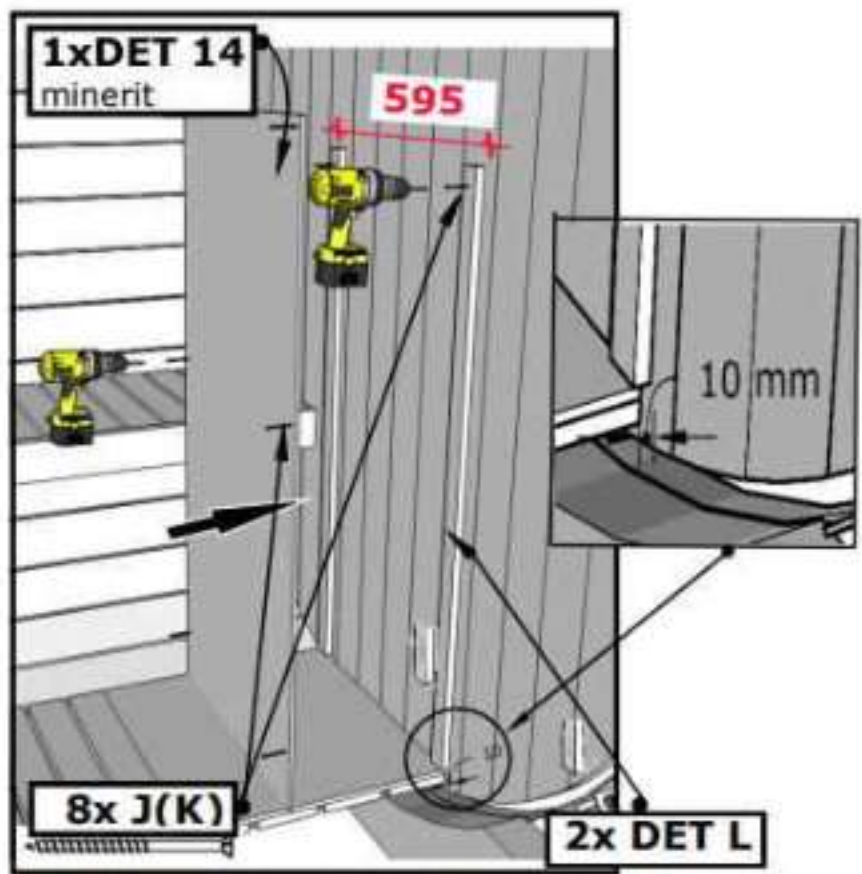
SAUNA 250, D205



I



II

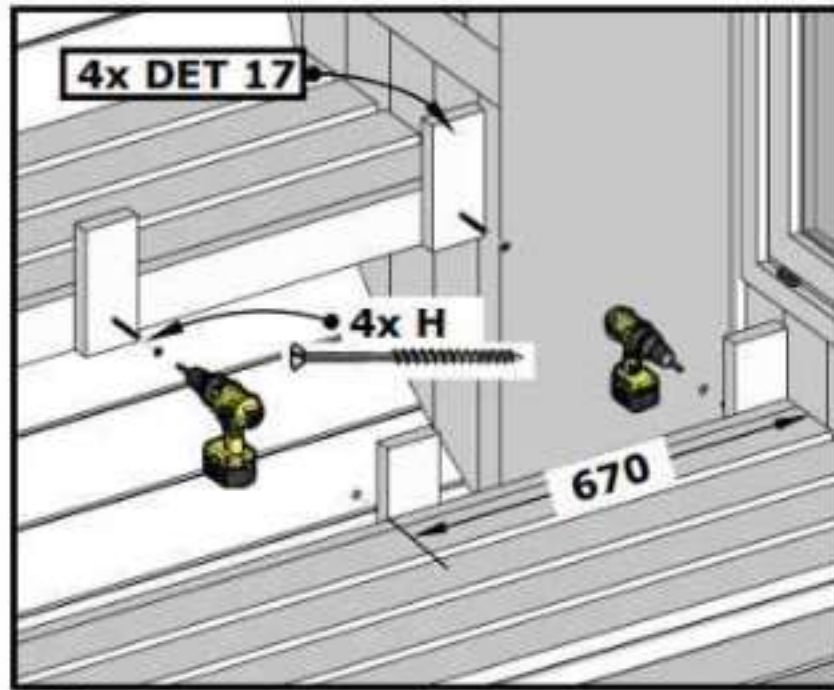


III

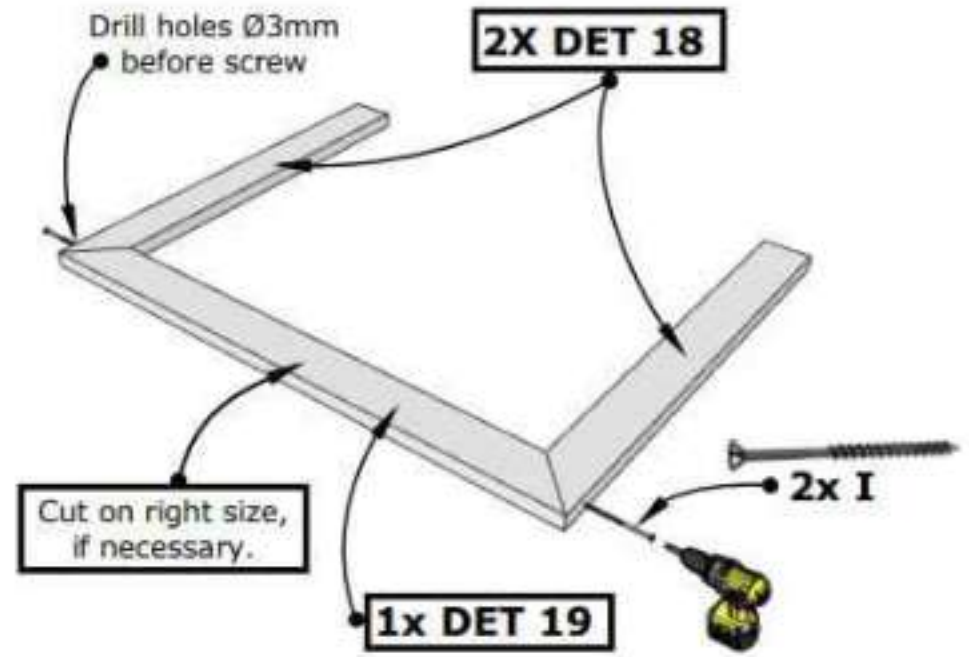
NB! If Your Sauna equipped with electrical heater, then fix DET 14 directly to the wall without DET L. Then use screws K.

12.

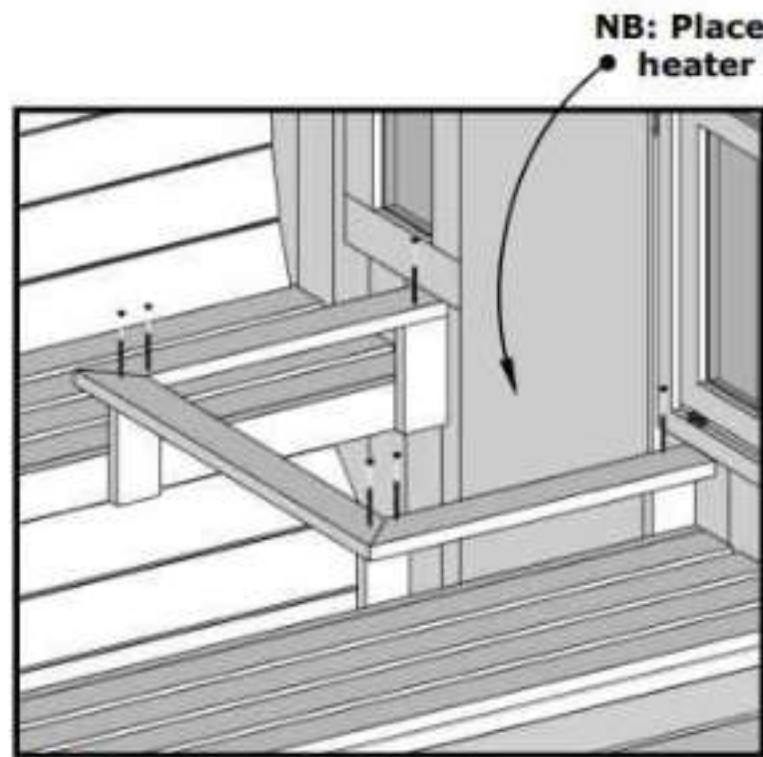
SAUNA 250, D205



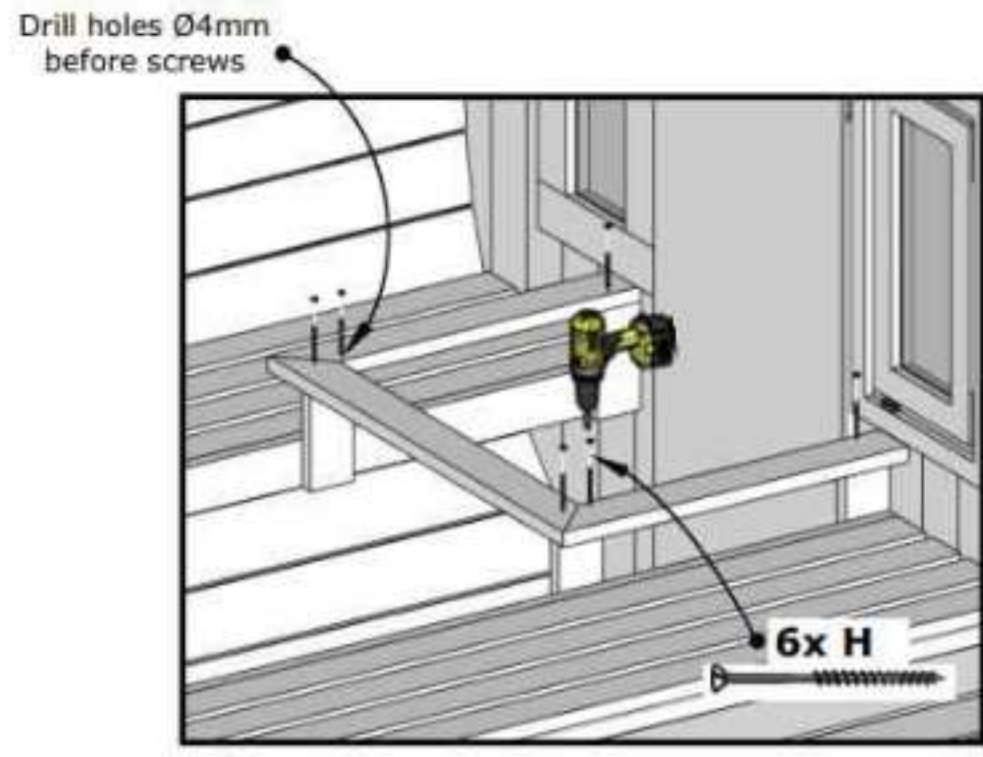
I



II

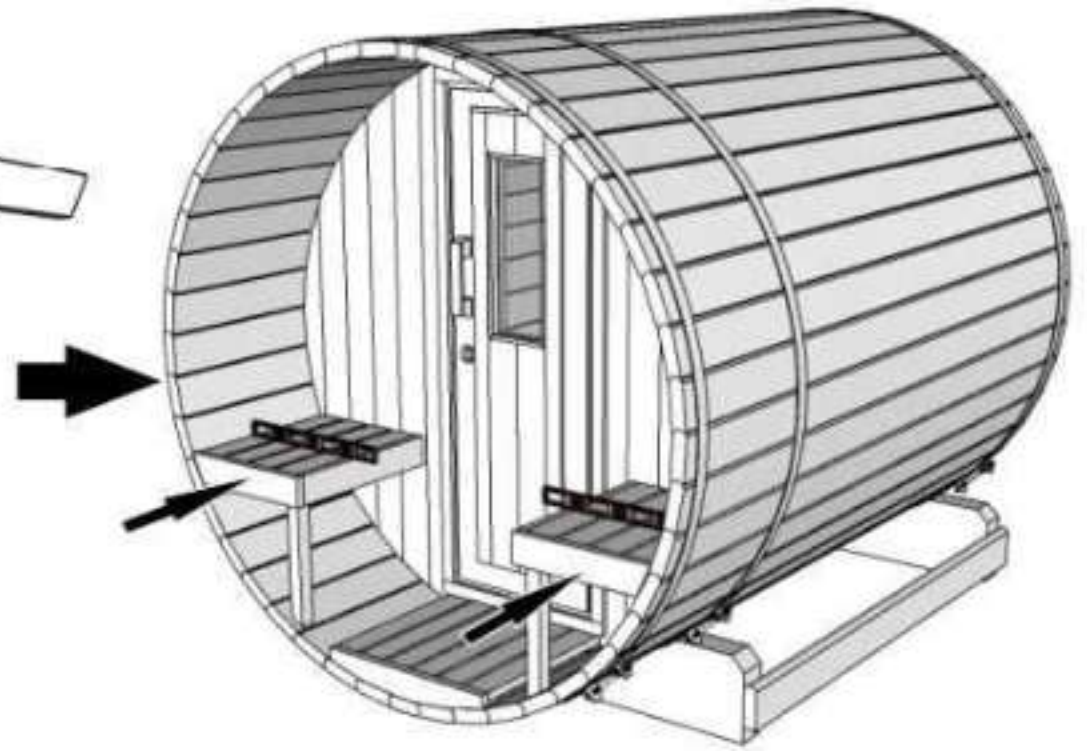
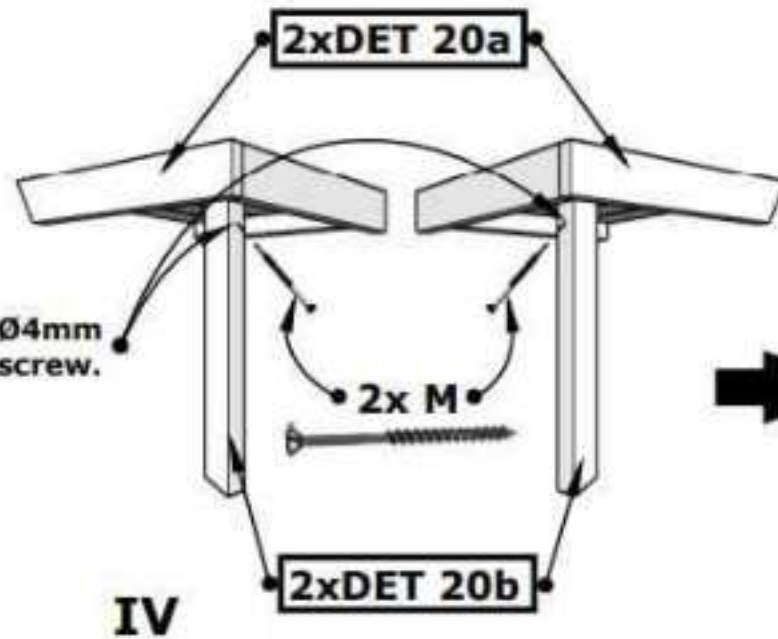


III



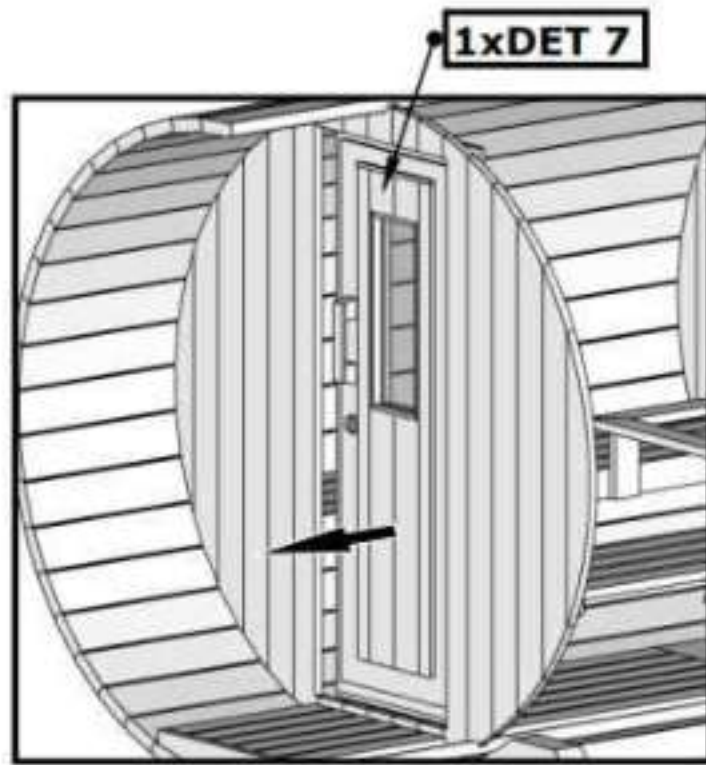
IV

**SAUNA 250, D205**

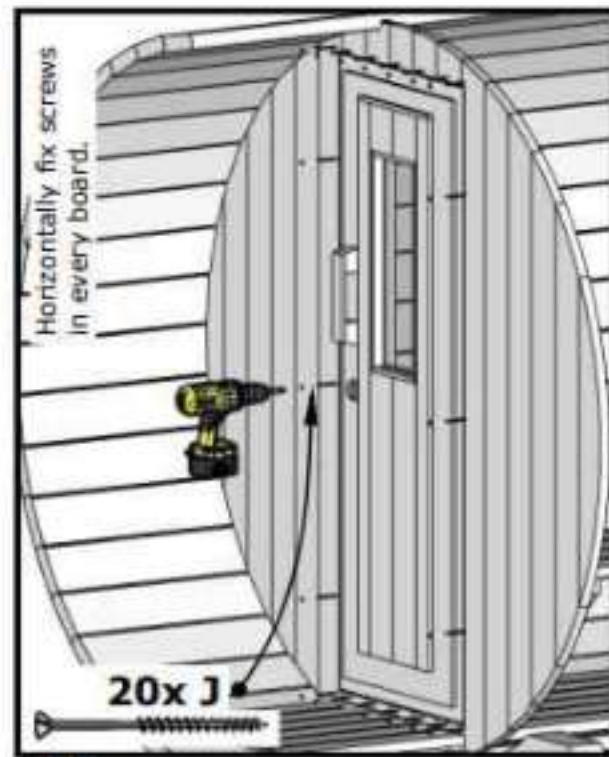


Use waterlevel for door installation.

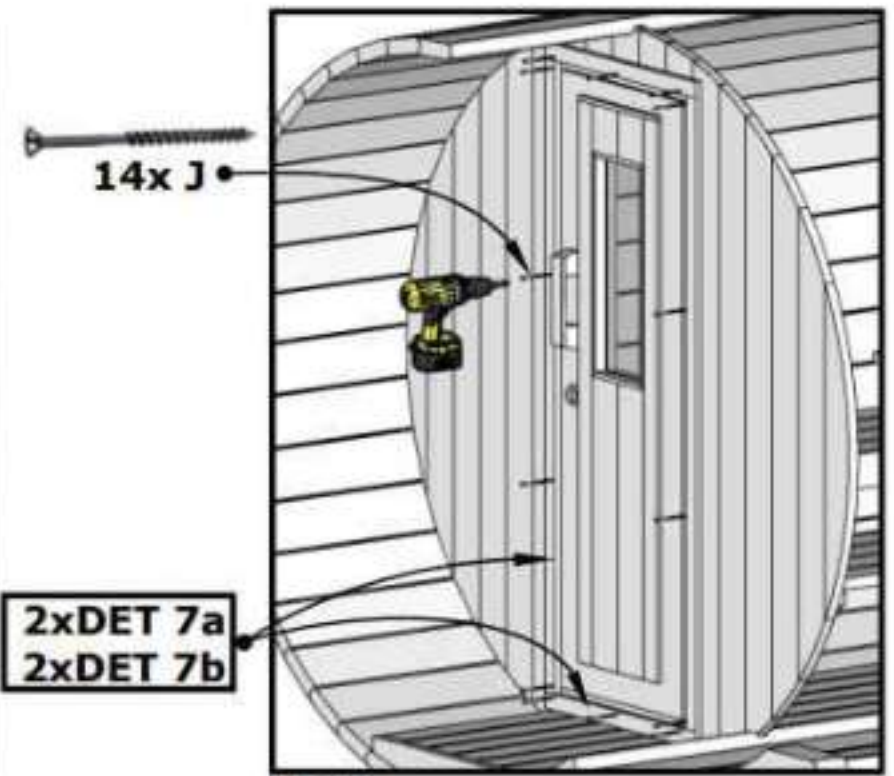
**NB!** Place door from inside.



**I**

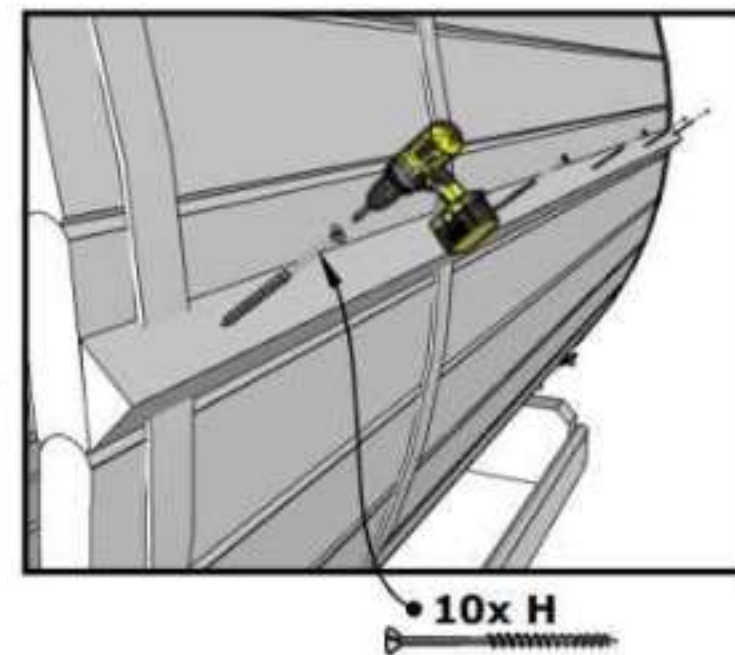
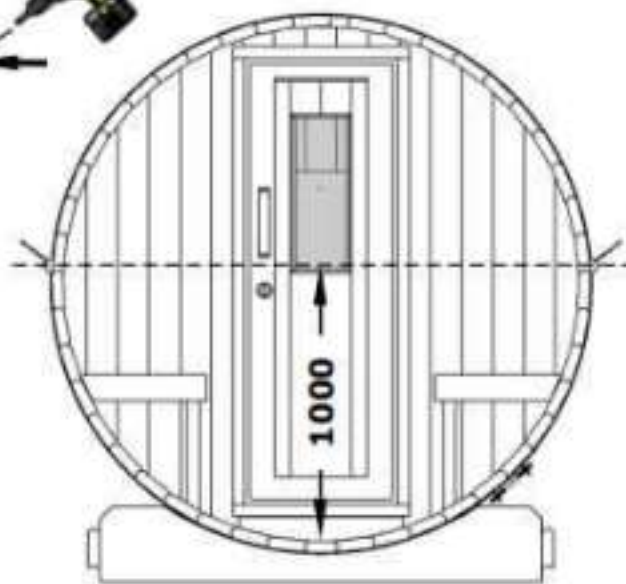
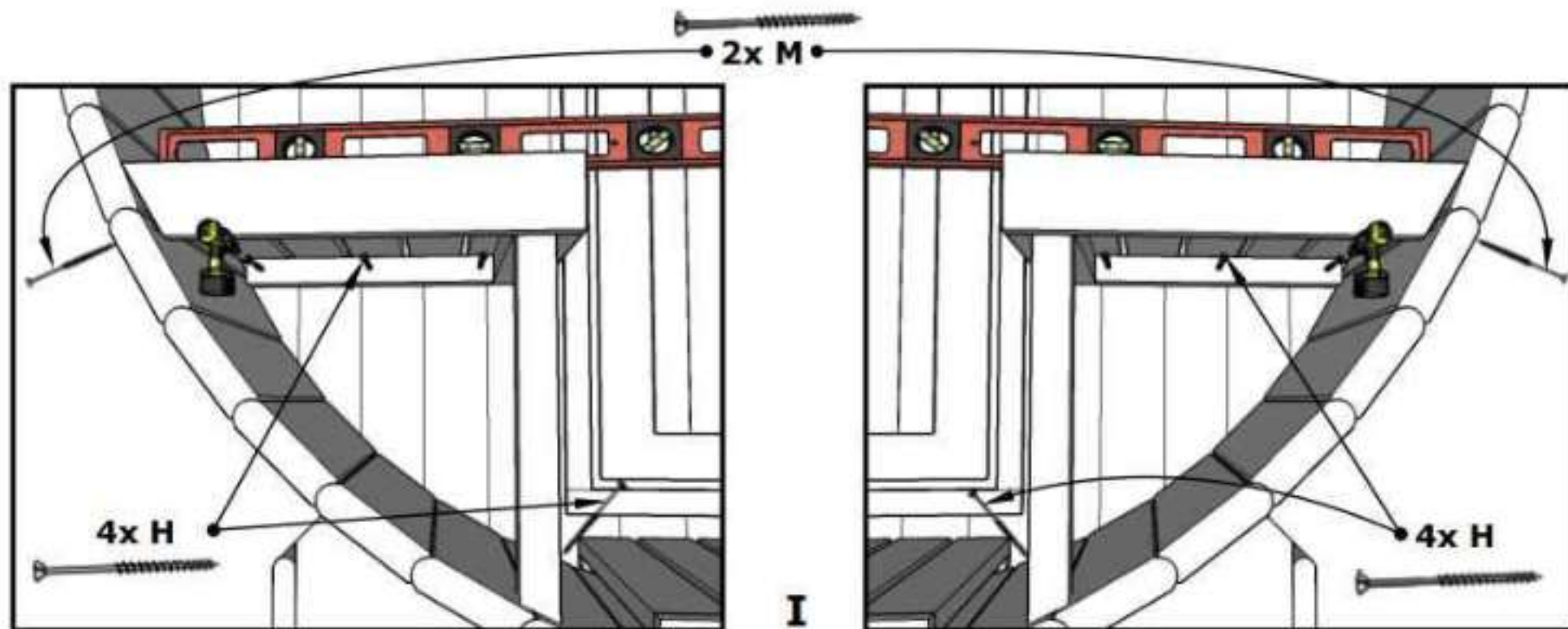


**II**

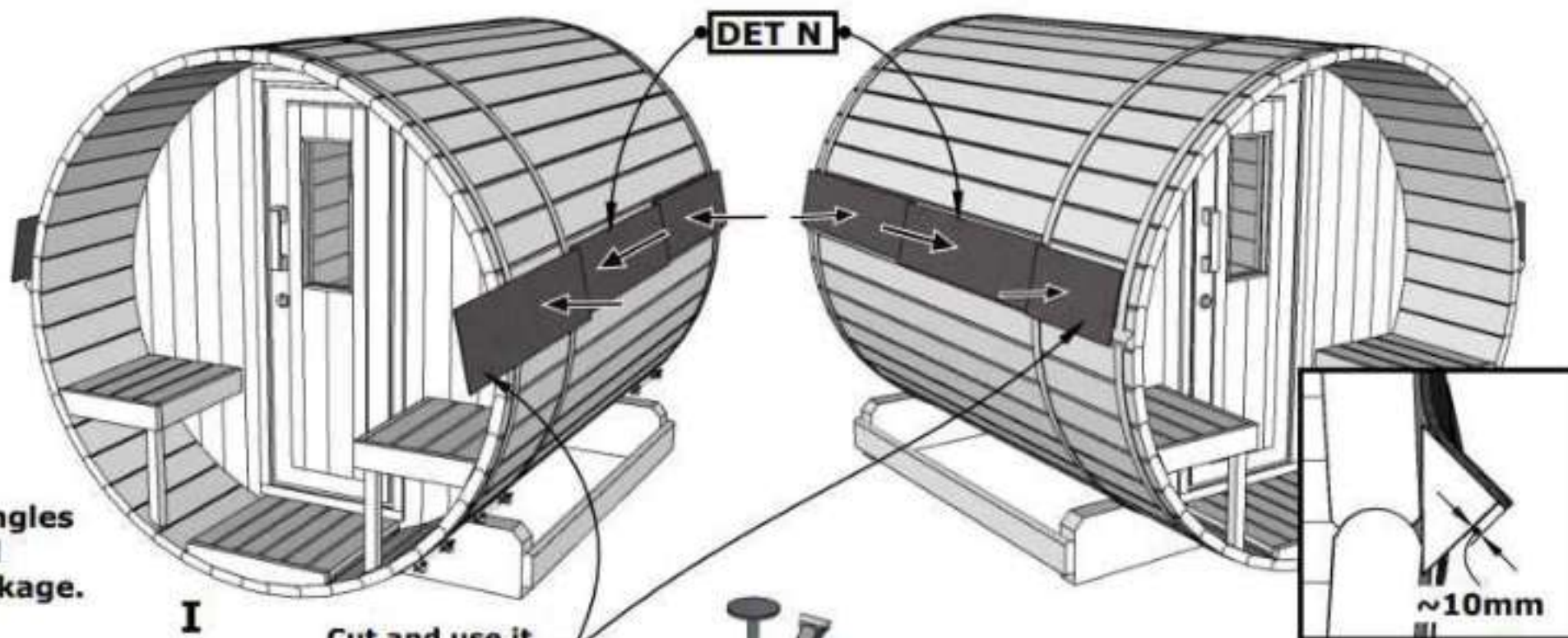


**III**

SAUNA 250, D205

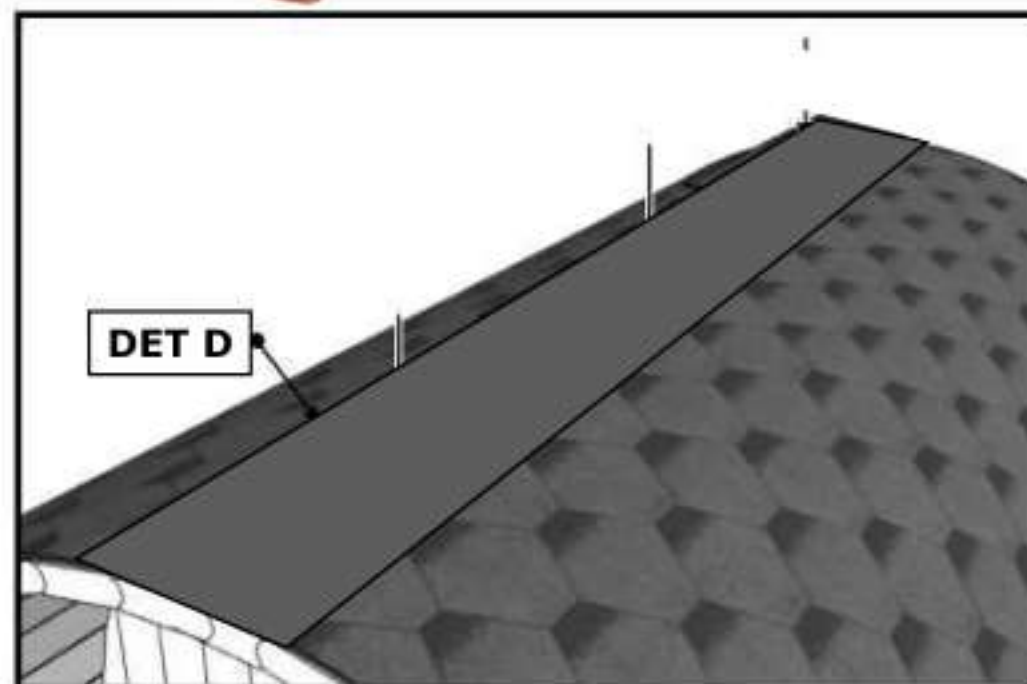
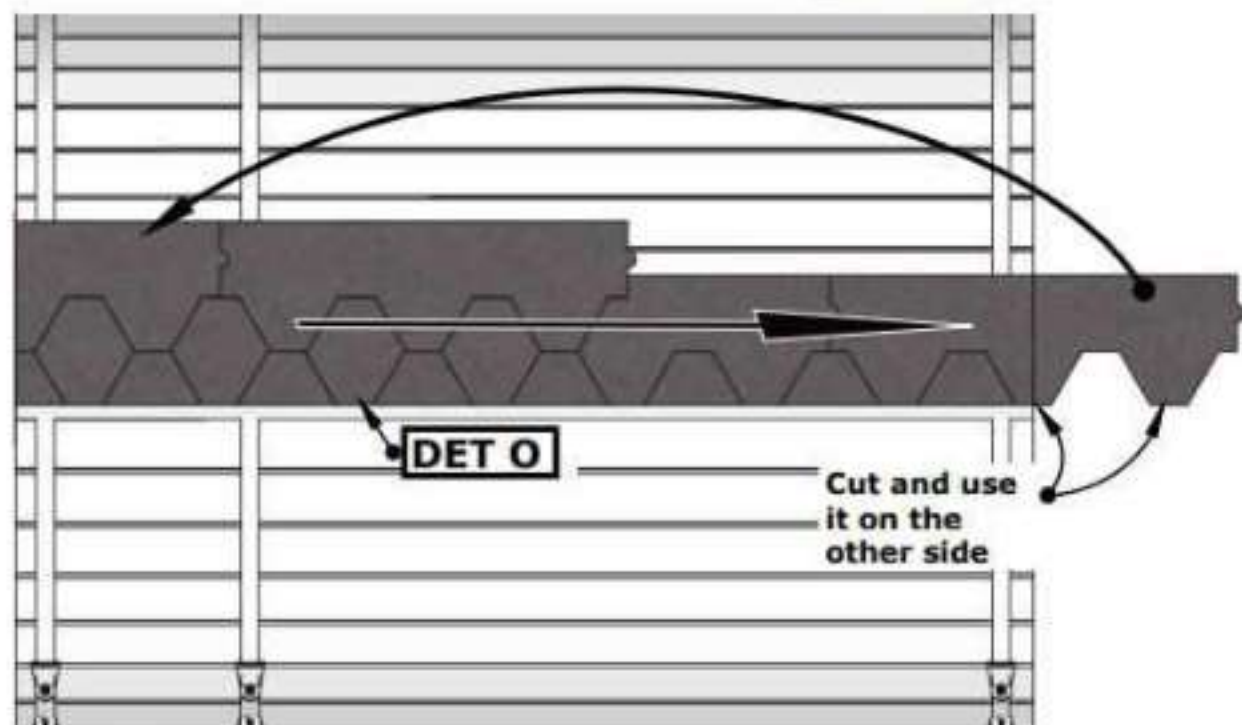


# SAUNA 250, D205



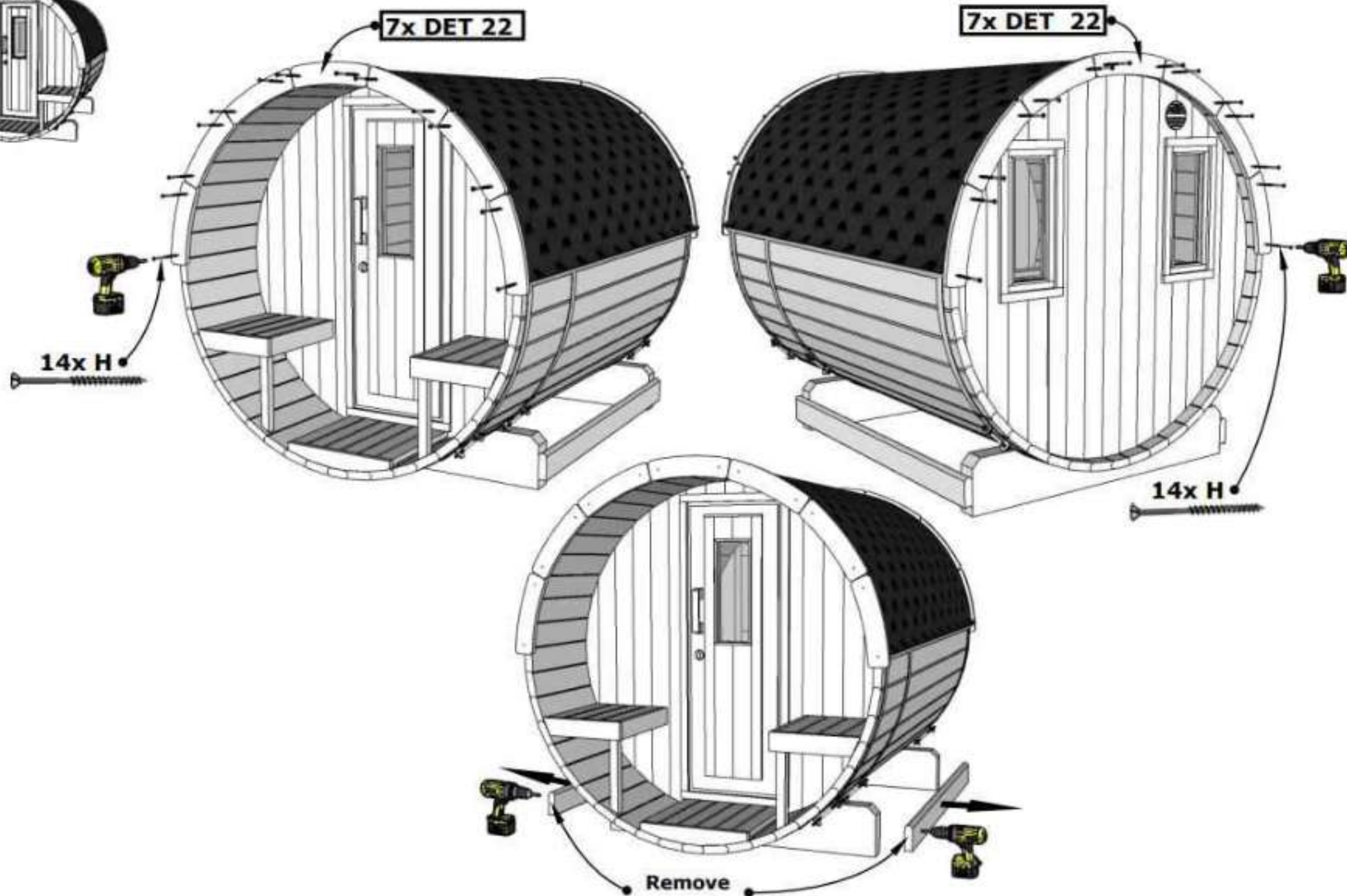
**NB!** Check also shingles installation manual inside shingles package.

**I**  
Cut and use it on ohter side



**16. II**

SAUNA 250, D205



17.

# Sauna 250, D205

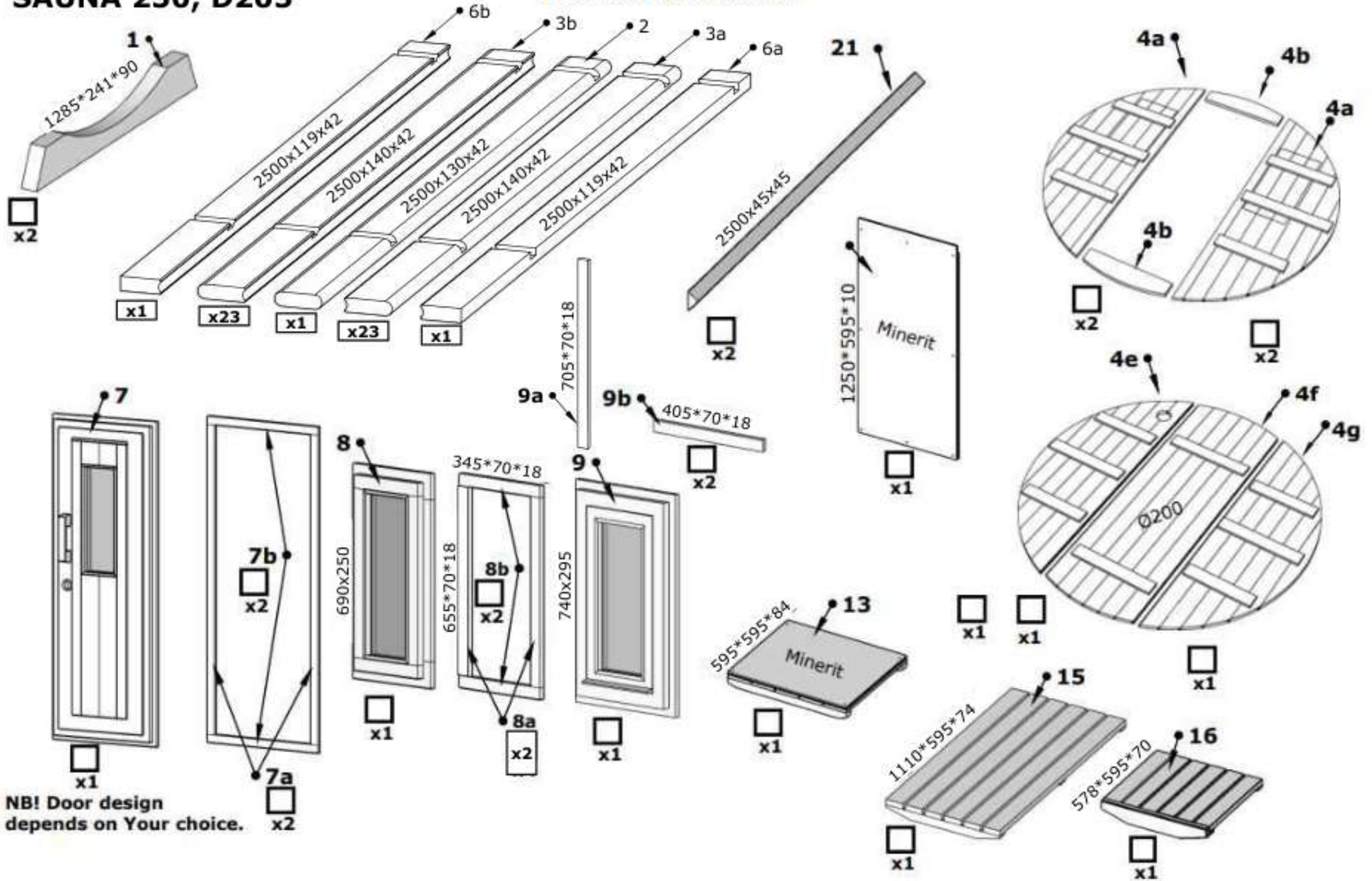
**Please read the whole manual  
before You start.**

**All given measurements  
are in millimeters.**



# SAUNA 250, D205

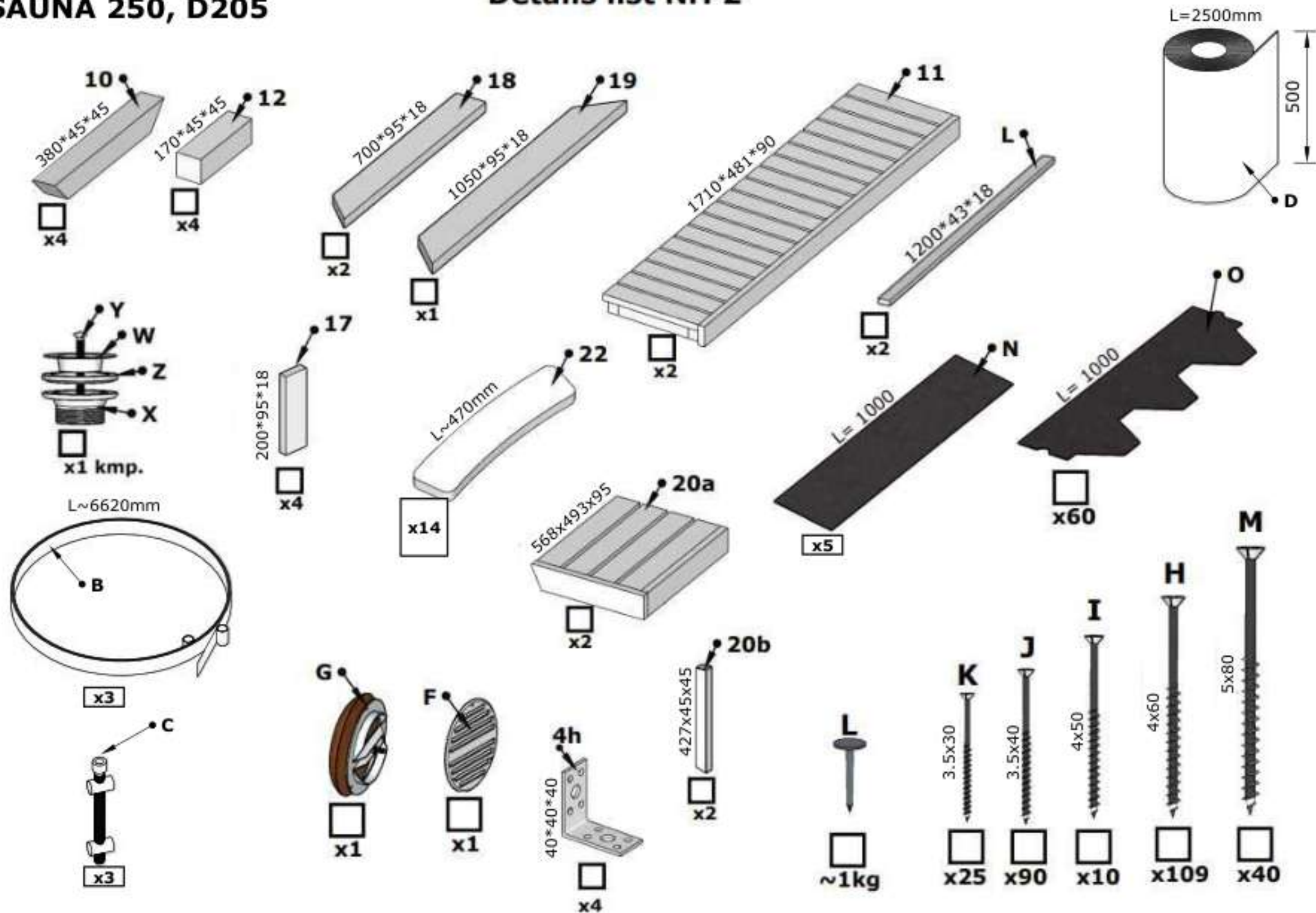
## Details list Nr. 1



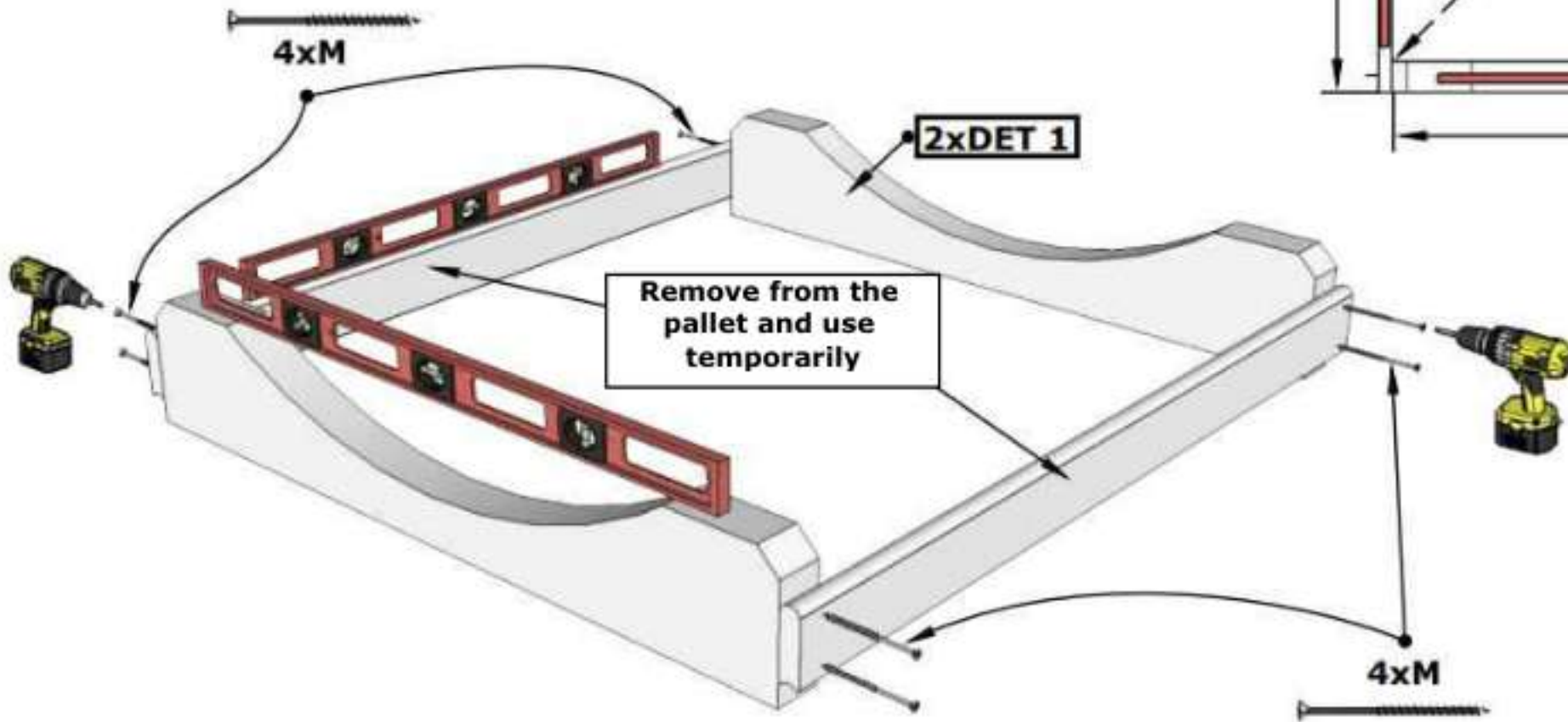
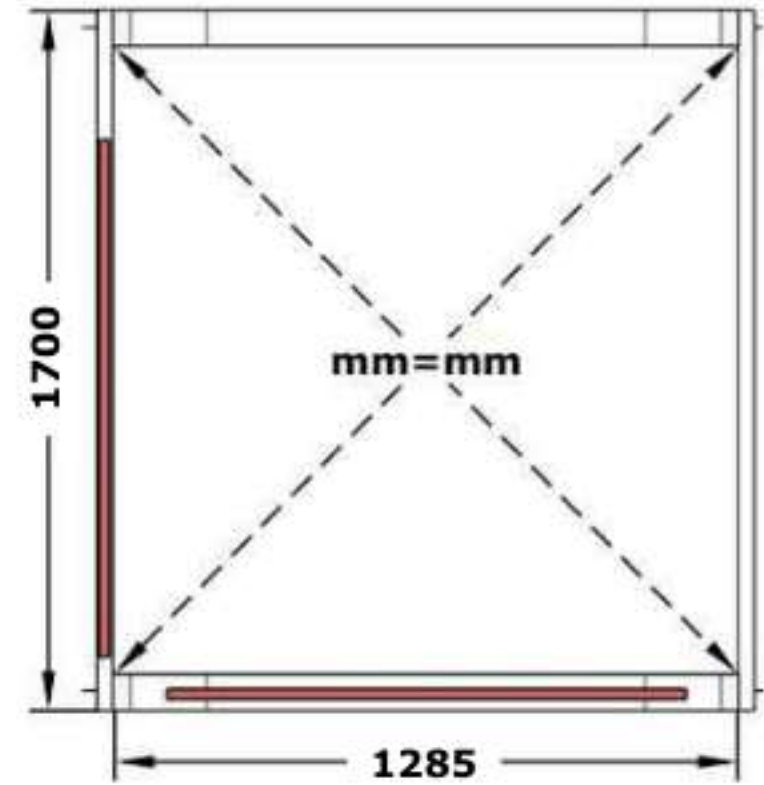
NB! Door design depends on Your choice.

# SAUNA 250, D205

## Details list Nr. 2

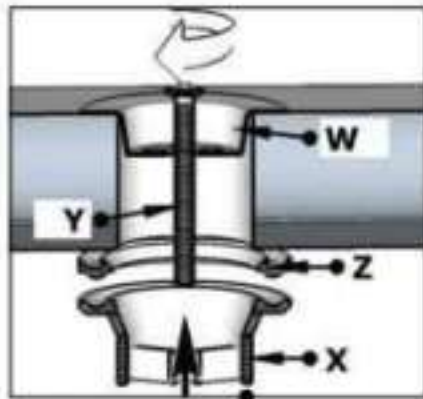
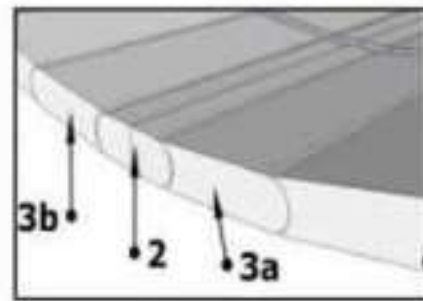
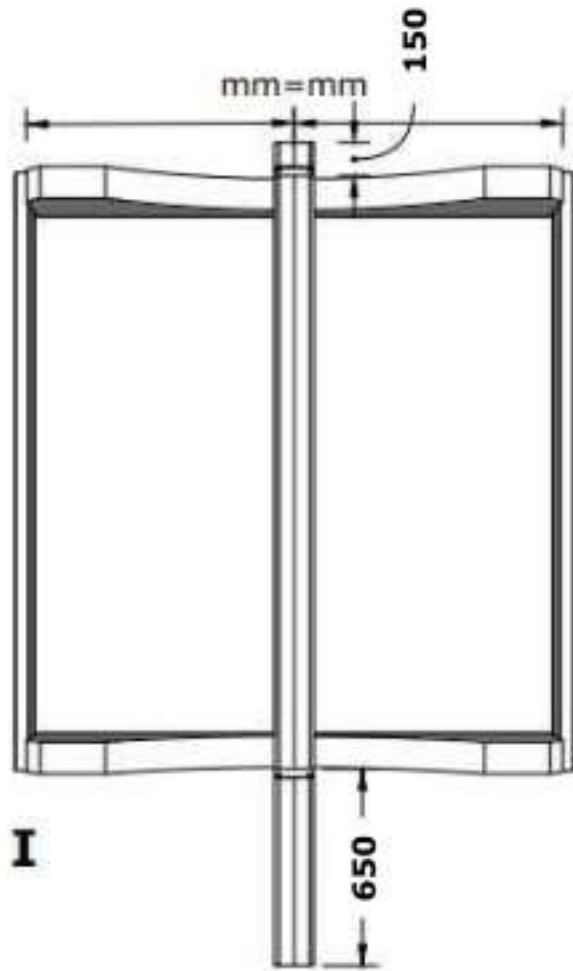


# SAUNA 250, D205

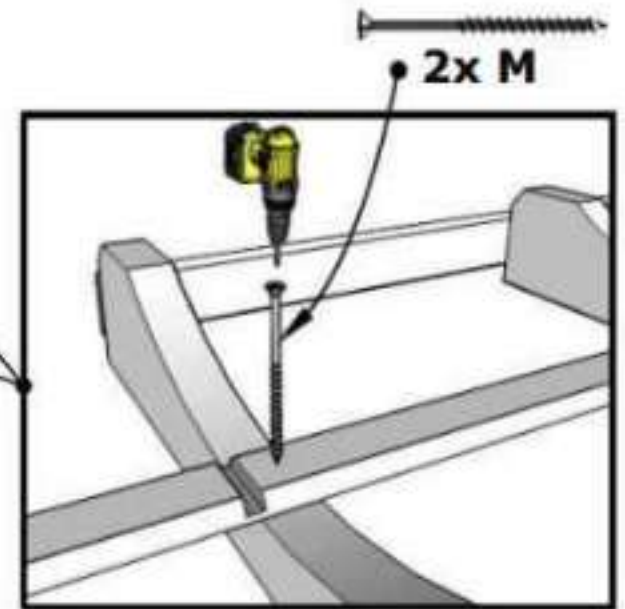
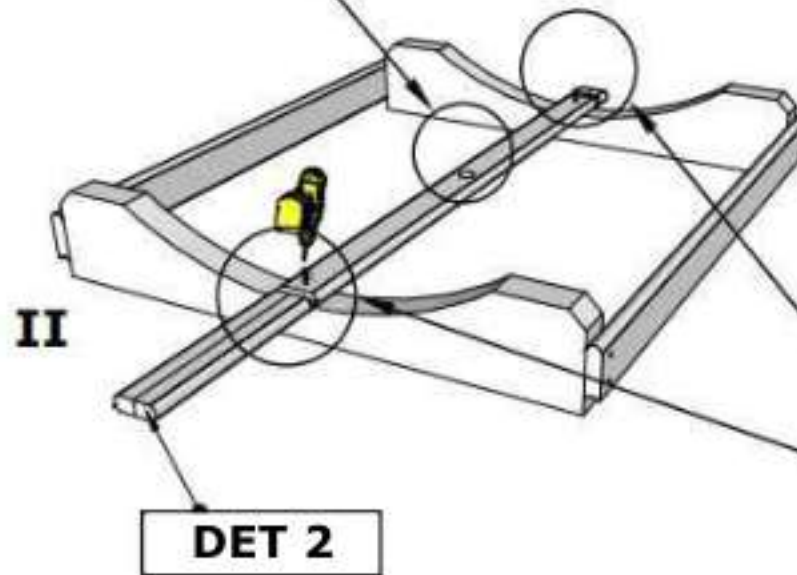
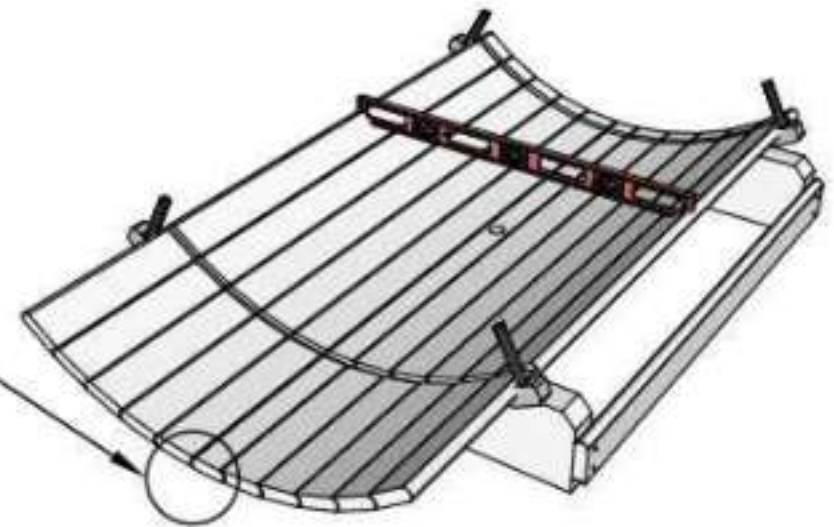


**1.**

SAUNA 250, D205

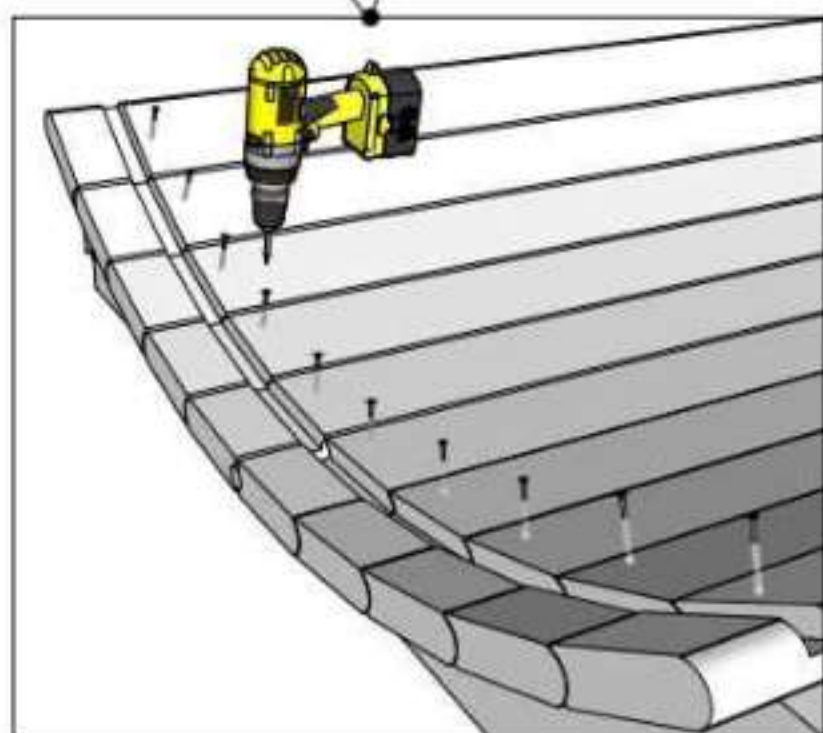
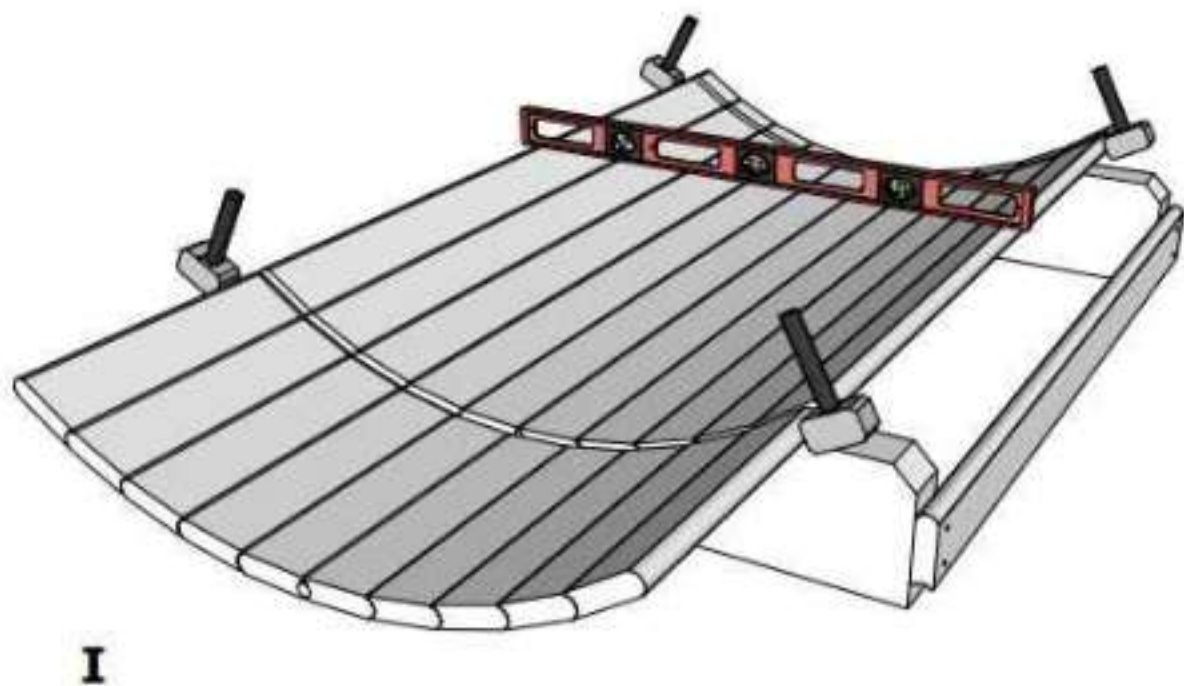
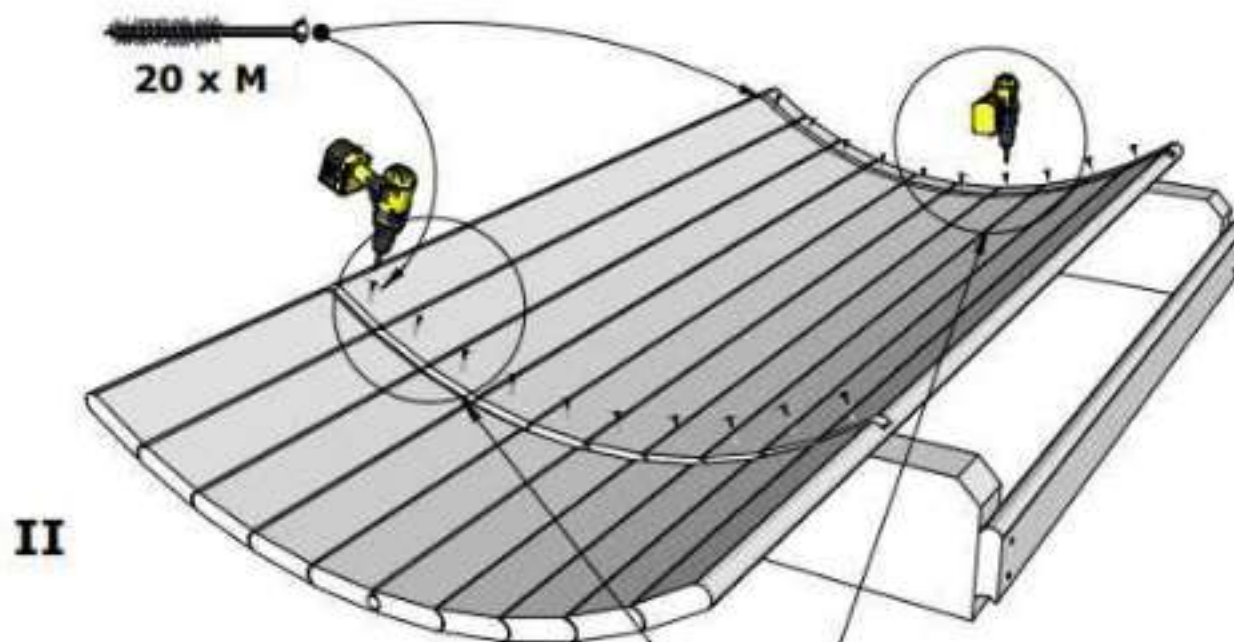


III



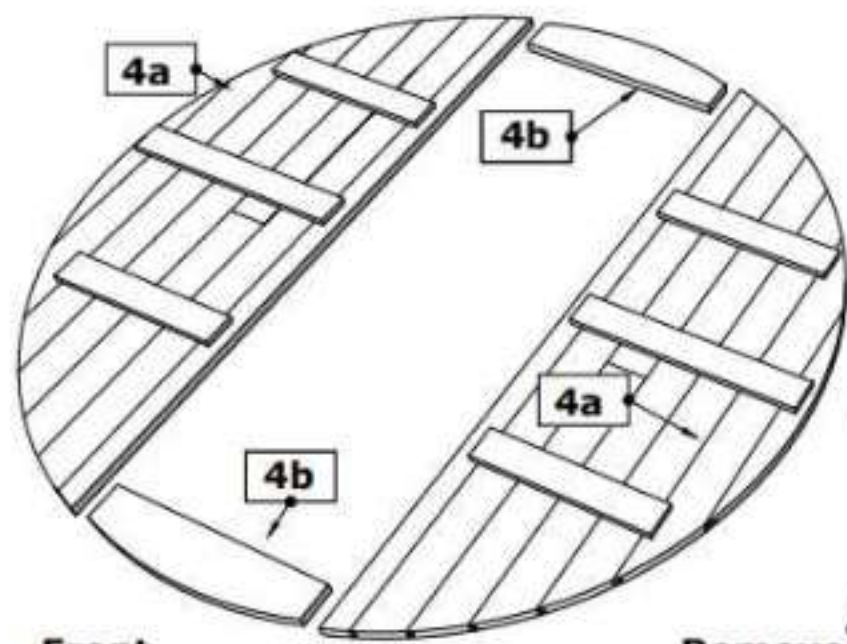
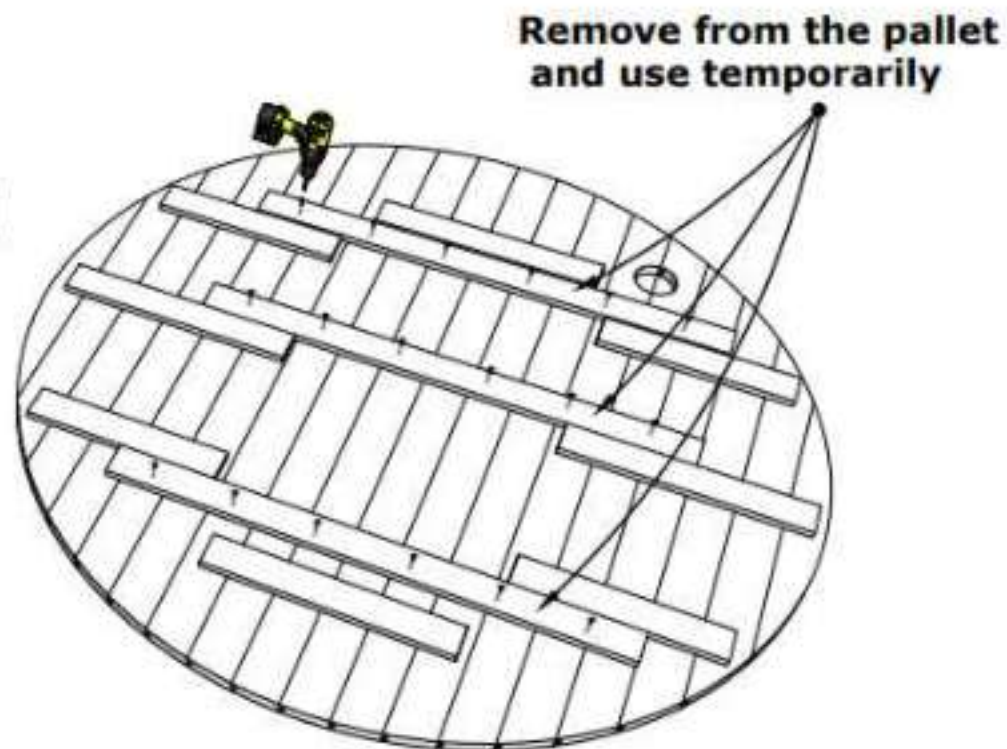
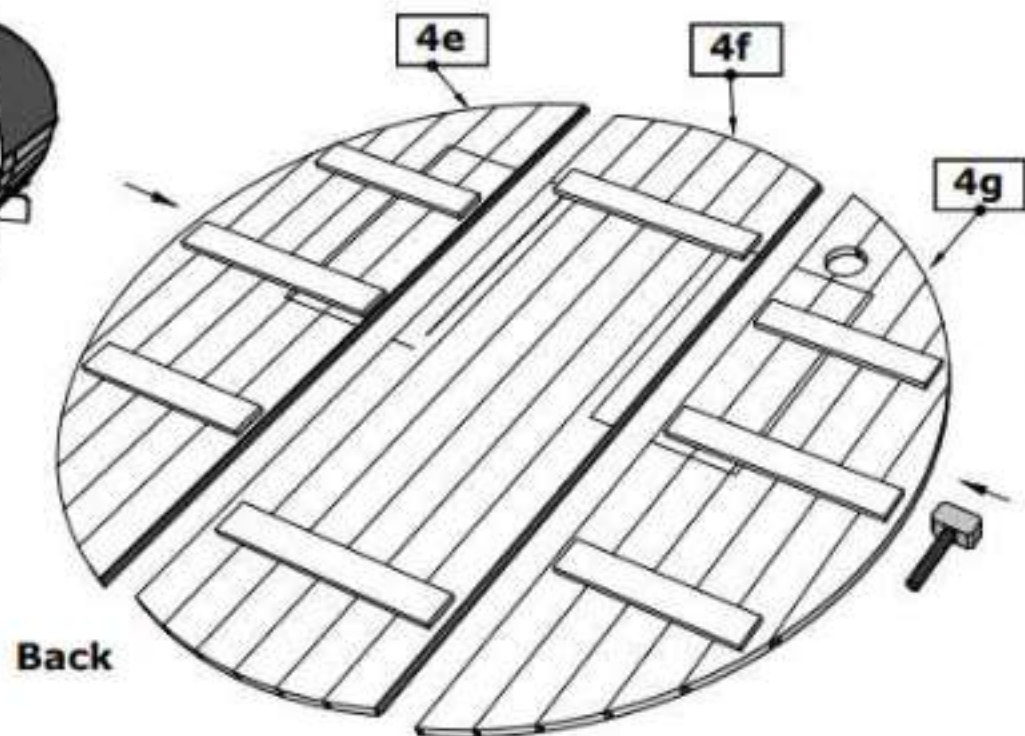
2.

SAUNA 250, D205



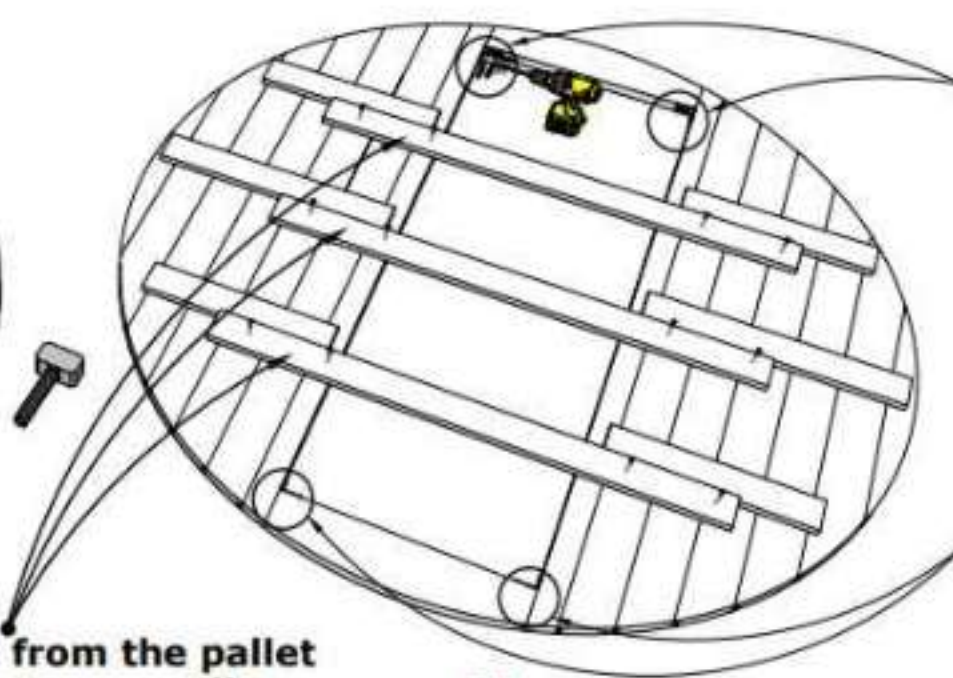
3.

SAUNA 250, D205

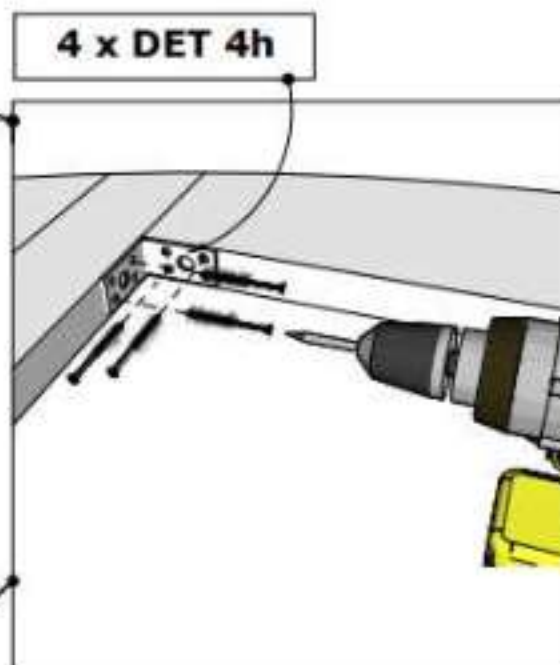


I

Remove from the pallet and use temporarily

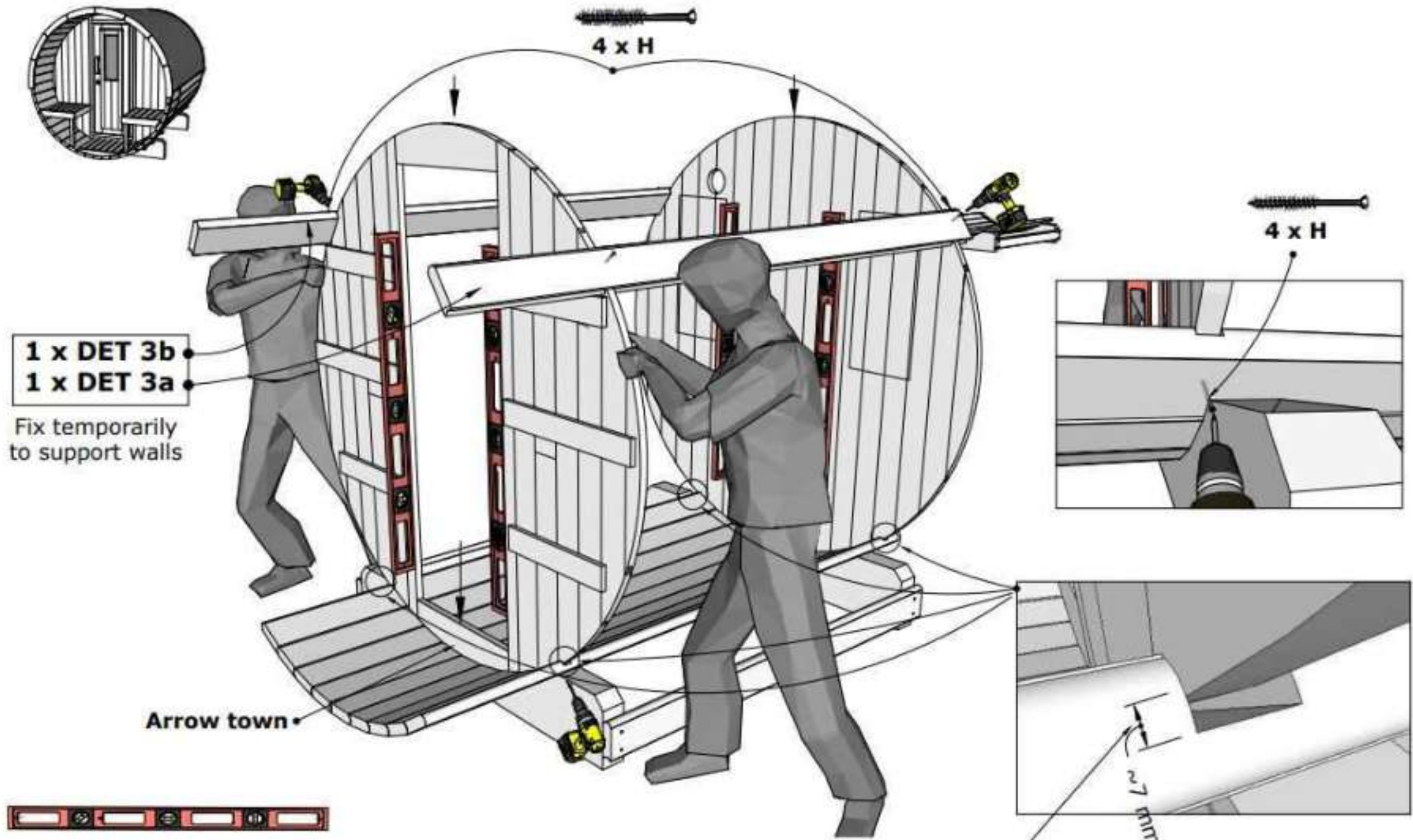


II



4.

# SAUNA 250, D205



Use waterlevel

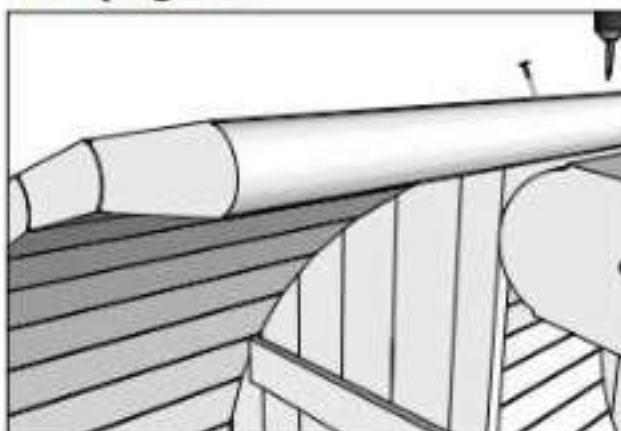
5.

SAUNA 250, D205



Remove

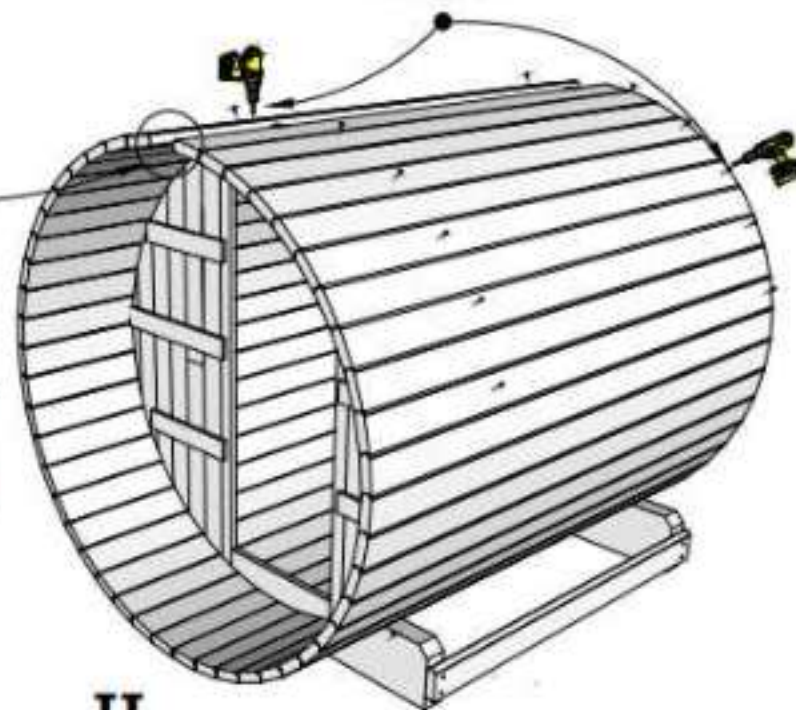
See page 6A



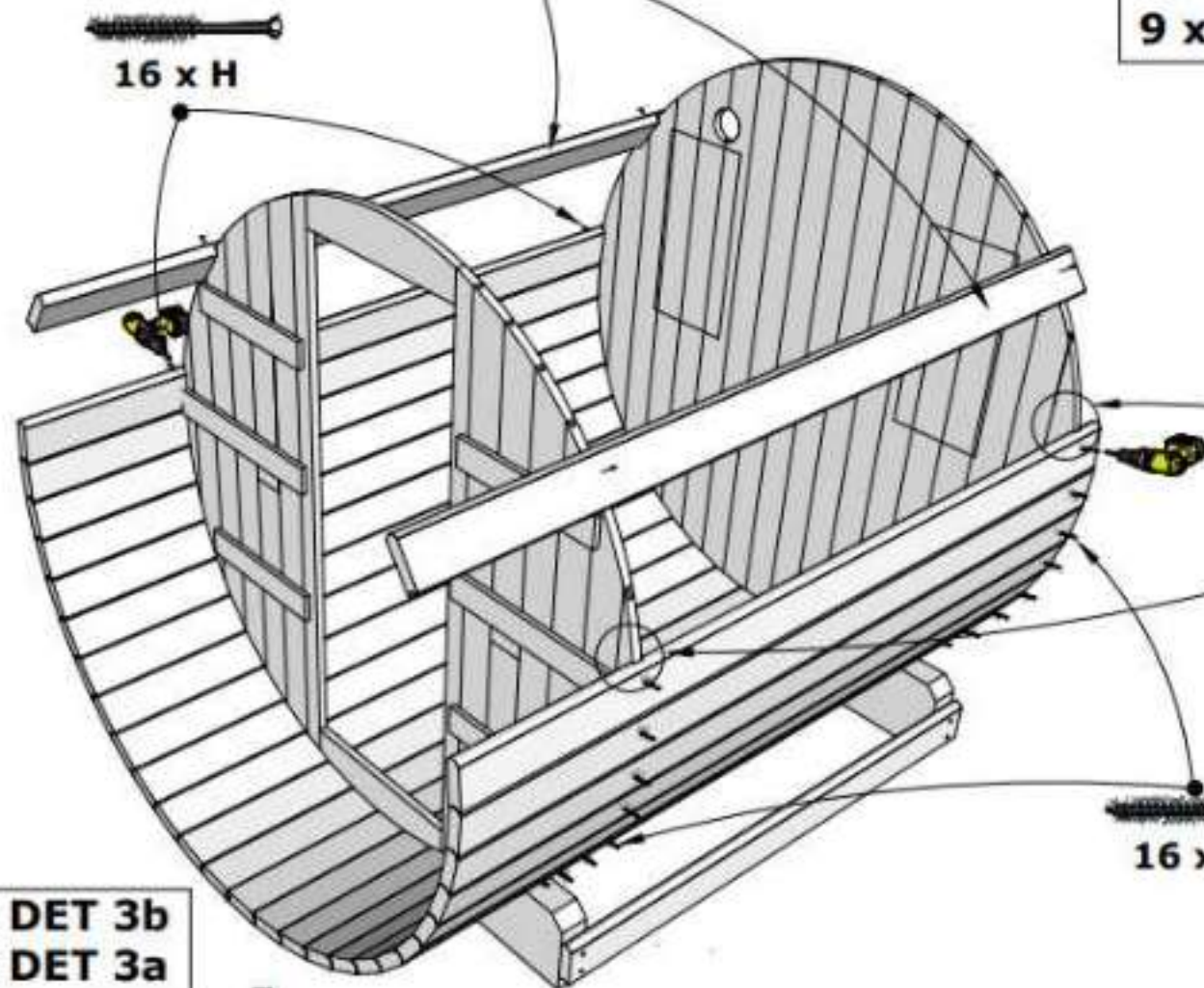
10 x DET 3b  
9 x DET 3a



16 x H



II

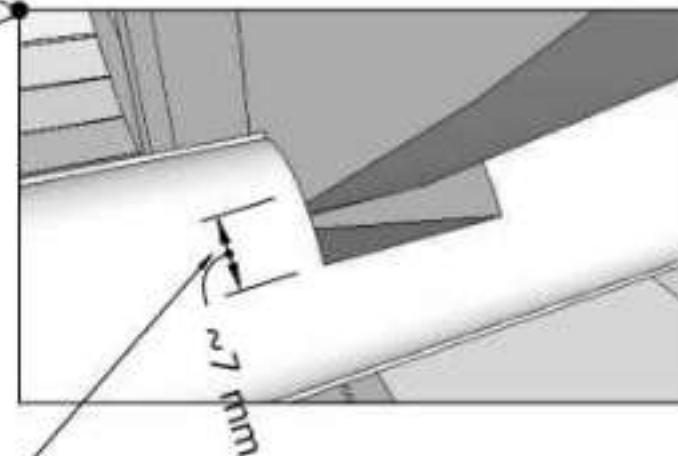


16 x H

16 x H

8 x DET 3b  
8 x DET 3a

I

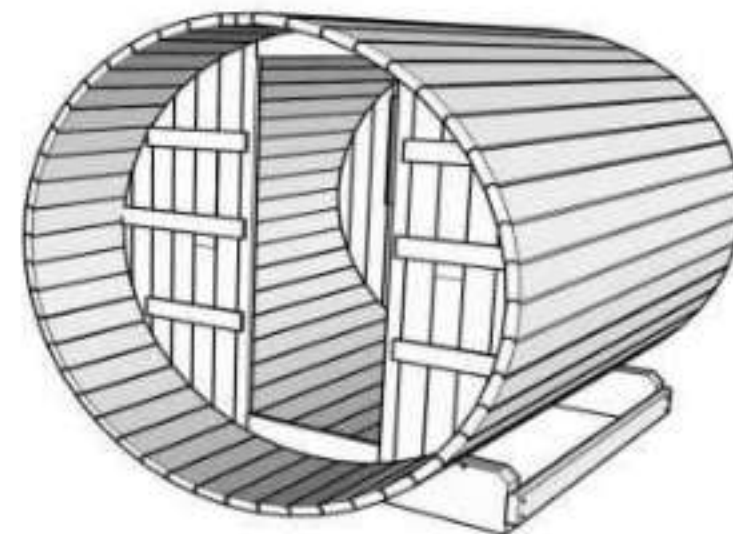
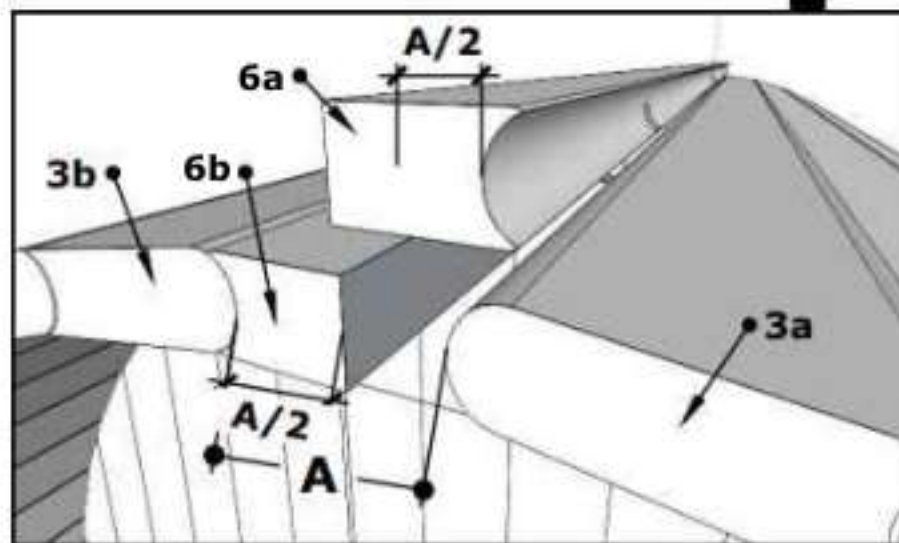
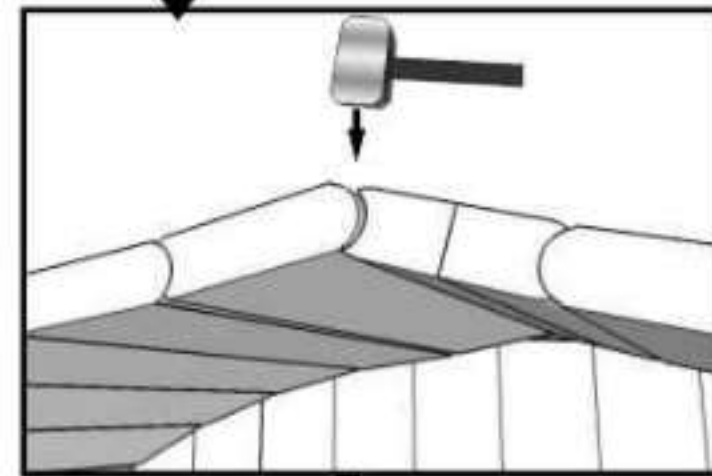
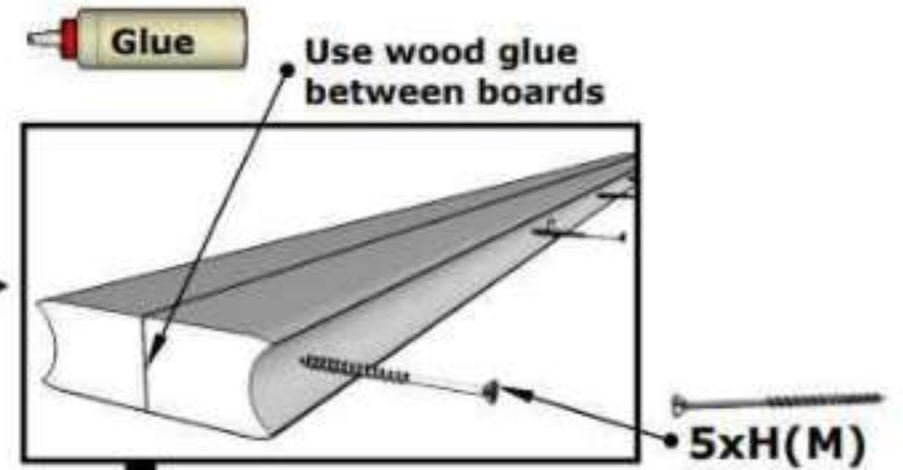
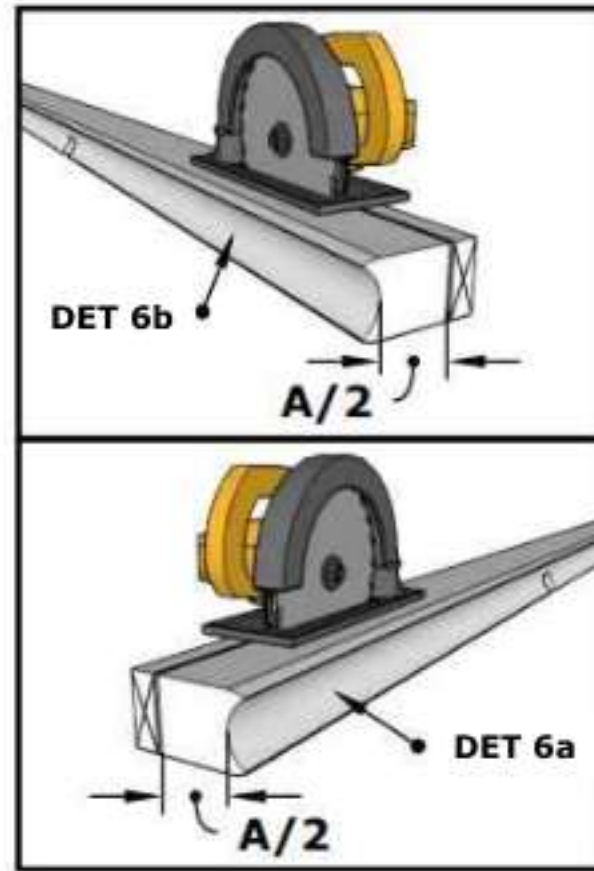


~7 mm

Important!  
Leave space

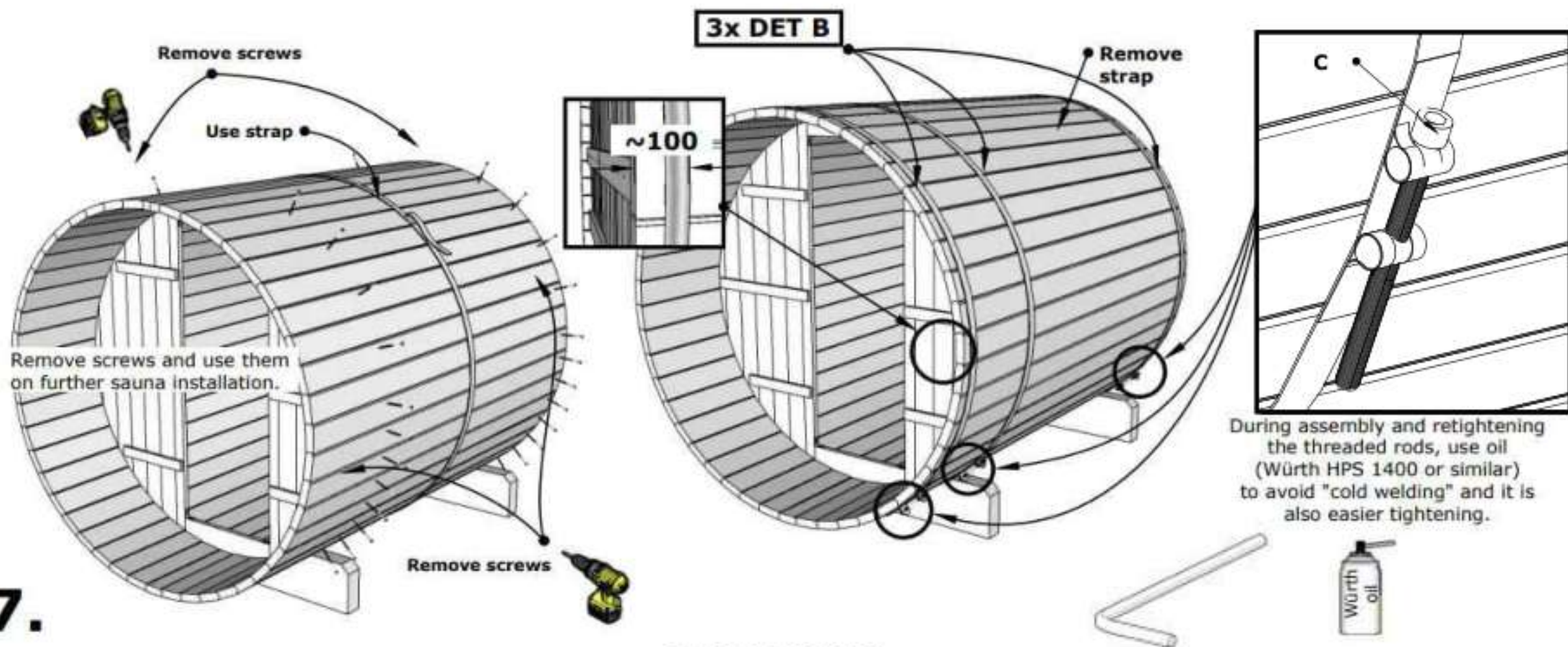
6.

SAUNA 250, D205



6A.

# SAUNA 250, D205



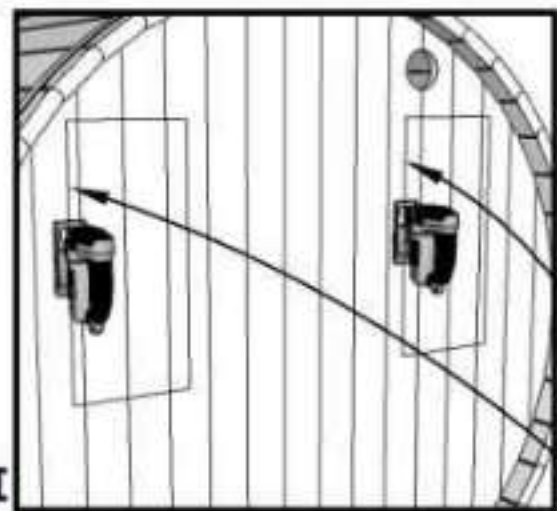
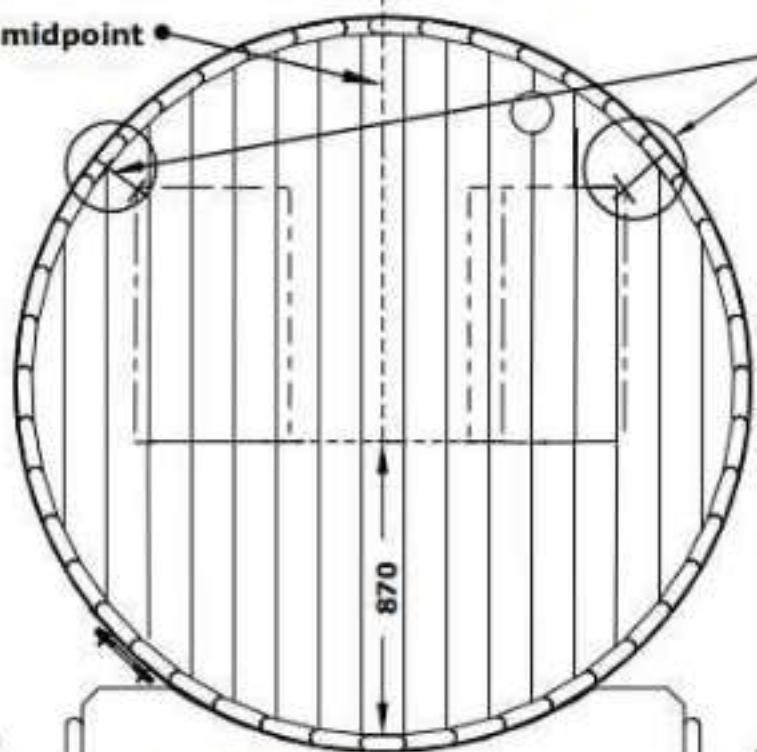
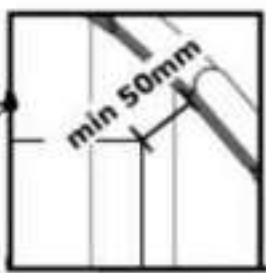
**7.**

**SAUNA 250, D205**



Mark windows openings.

Wall midpoint



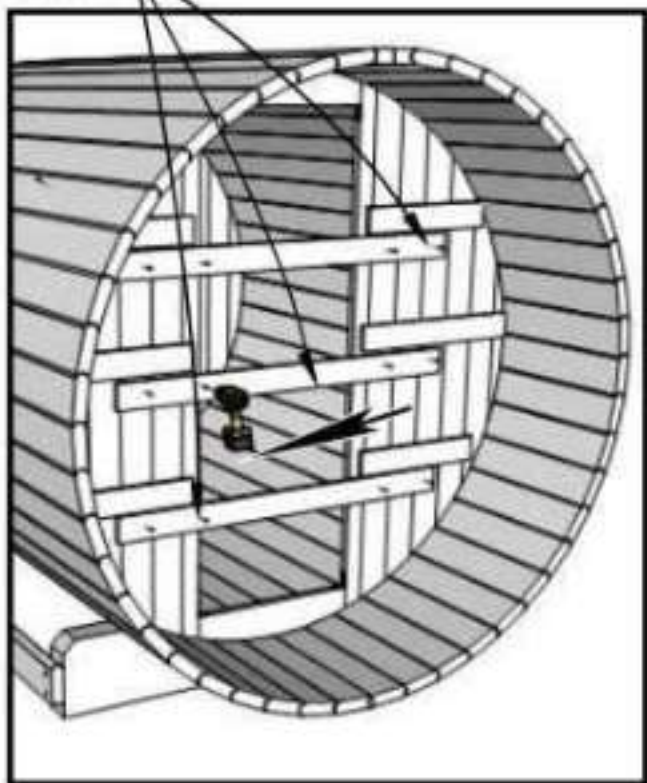
Before cutting, check windows opening and measure the windows! Add 10 mm to each side of the window and cut.

II

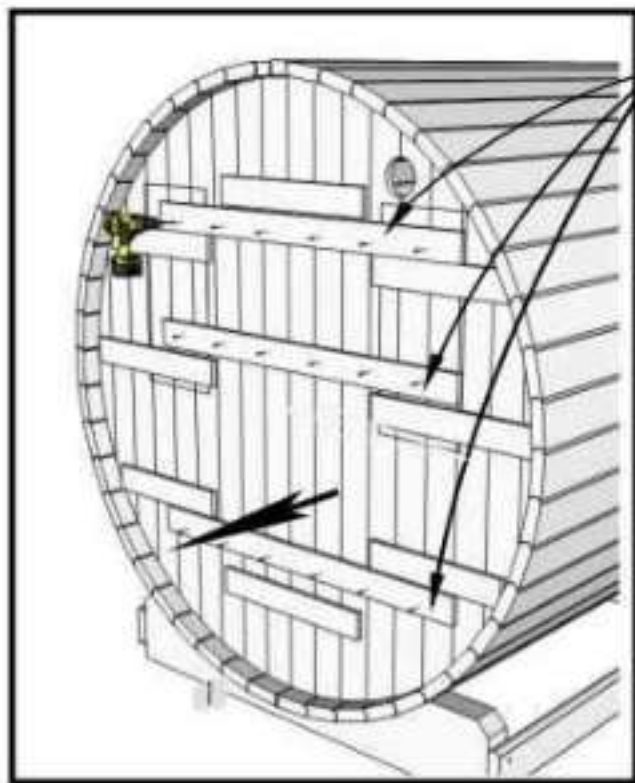
Back wall

III

Remove all brackets



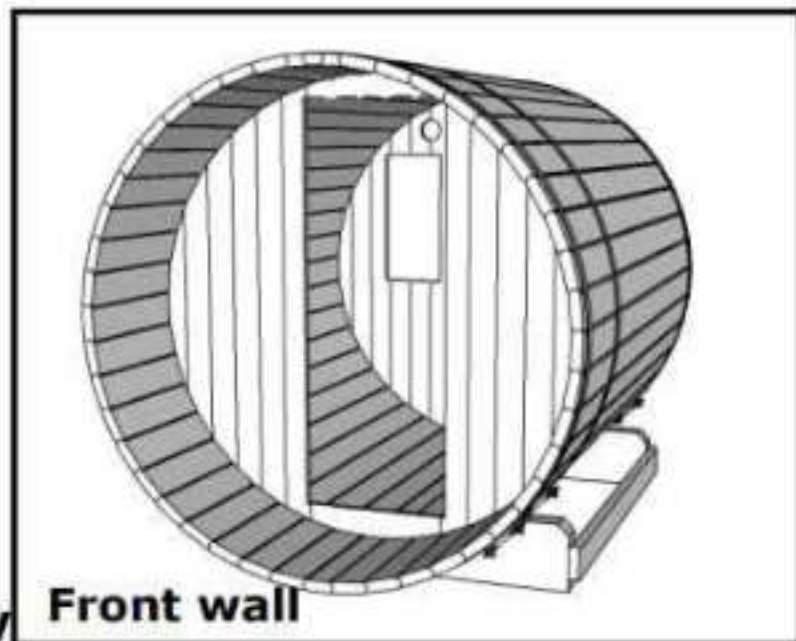
Remove all brackets



Cut out, follow the guidelines.

IV

Front wall



8. I

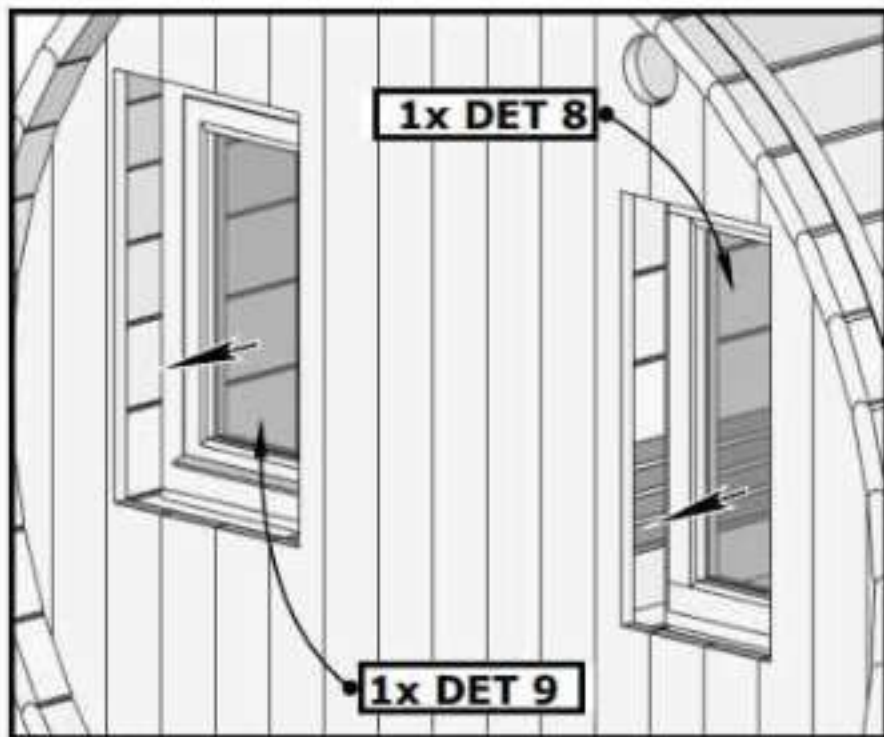
# SAUNA 250, D205



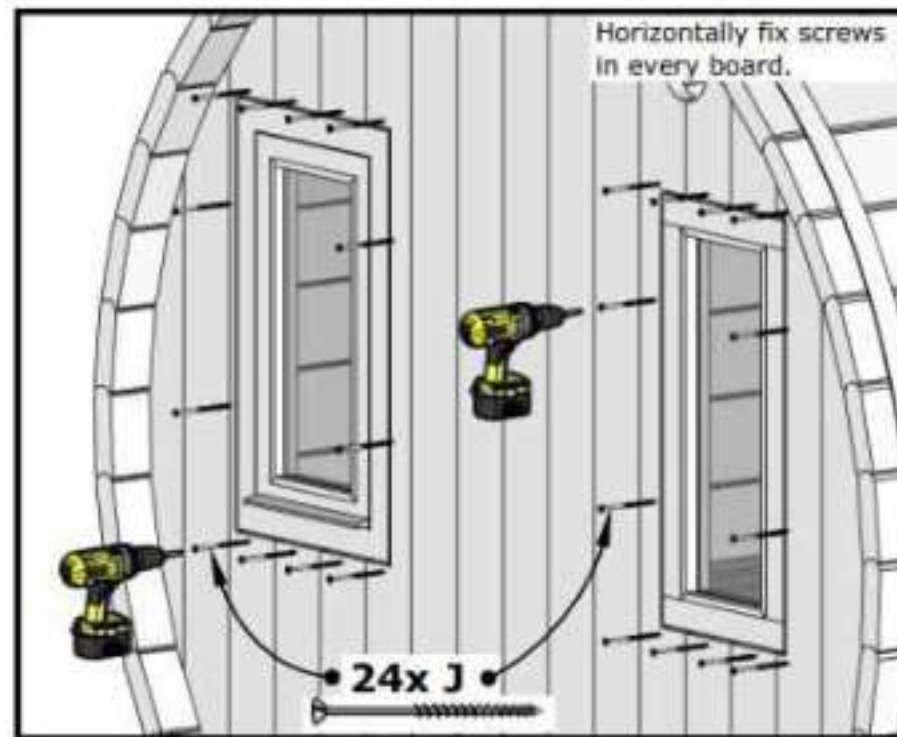
Use waterlevel for windows installation

NB! Place windows from inside.

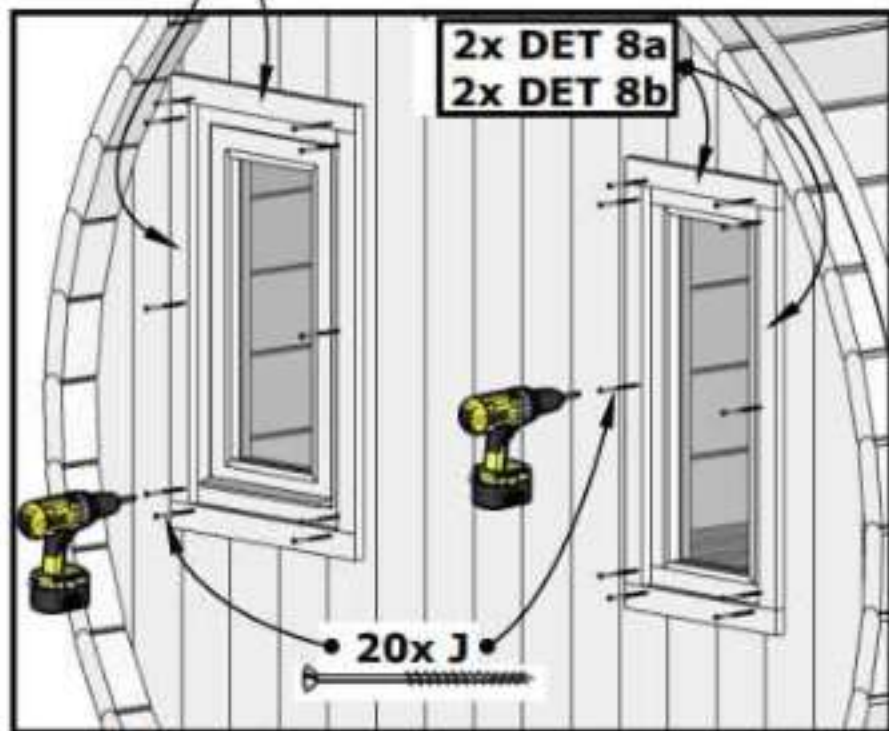
2x DET 9a  
2x DET 9b



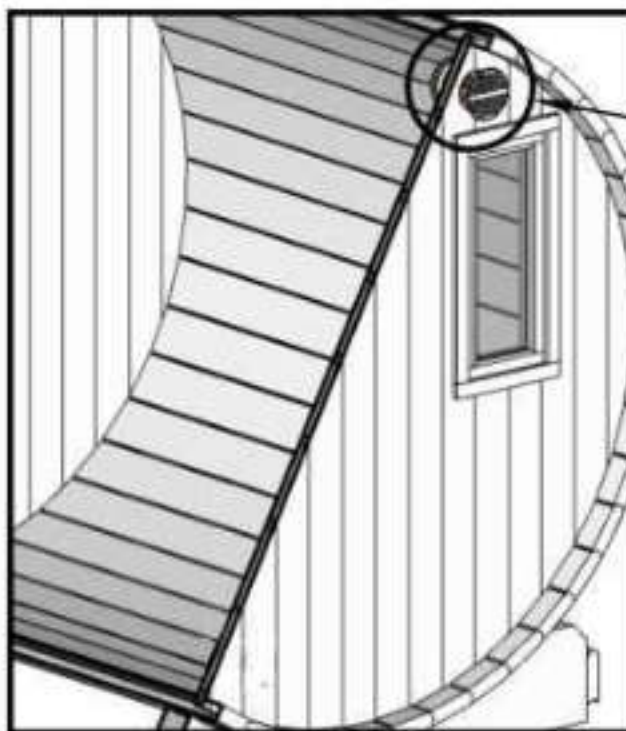
I



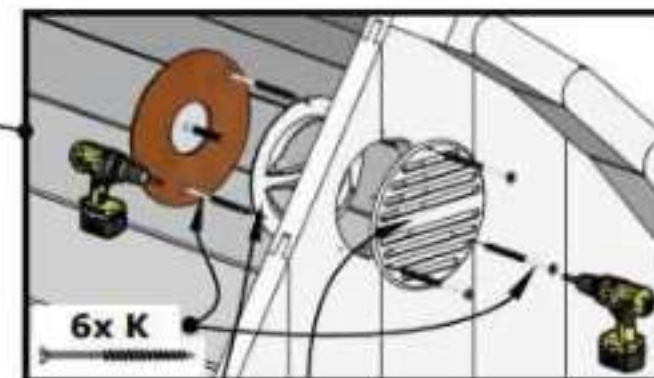
II



III



IV

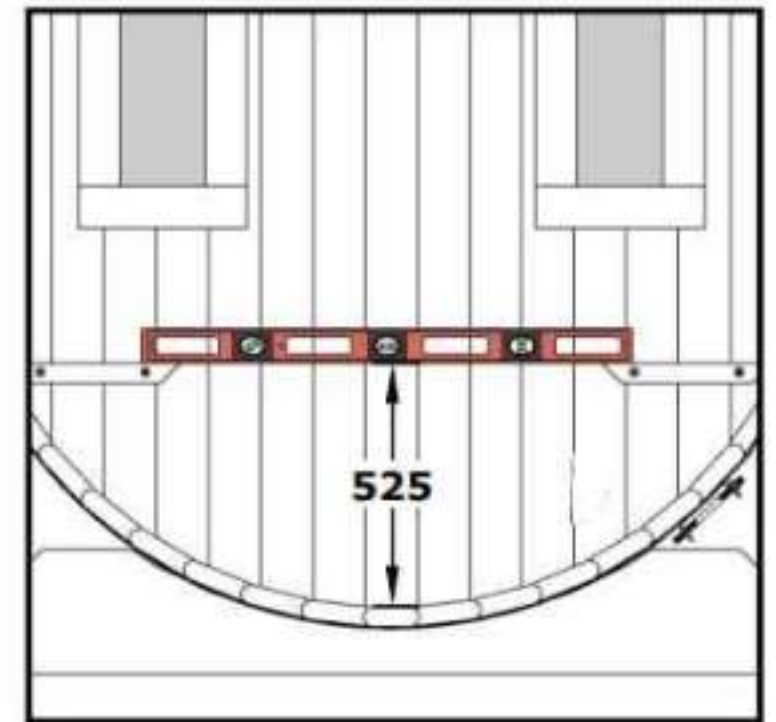
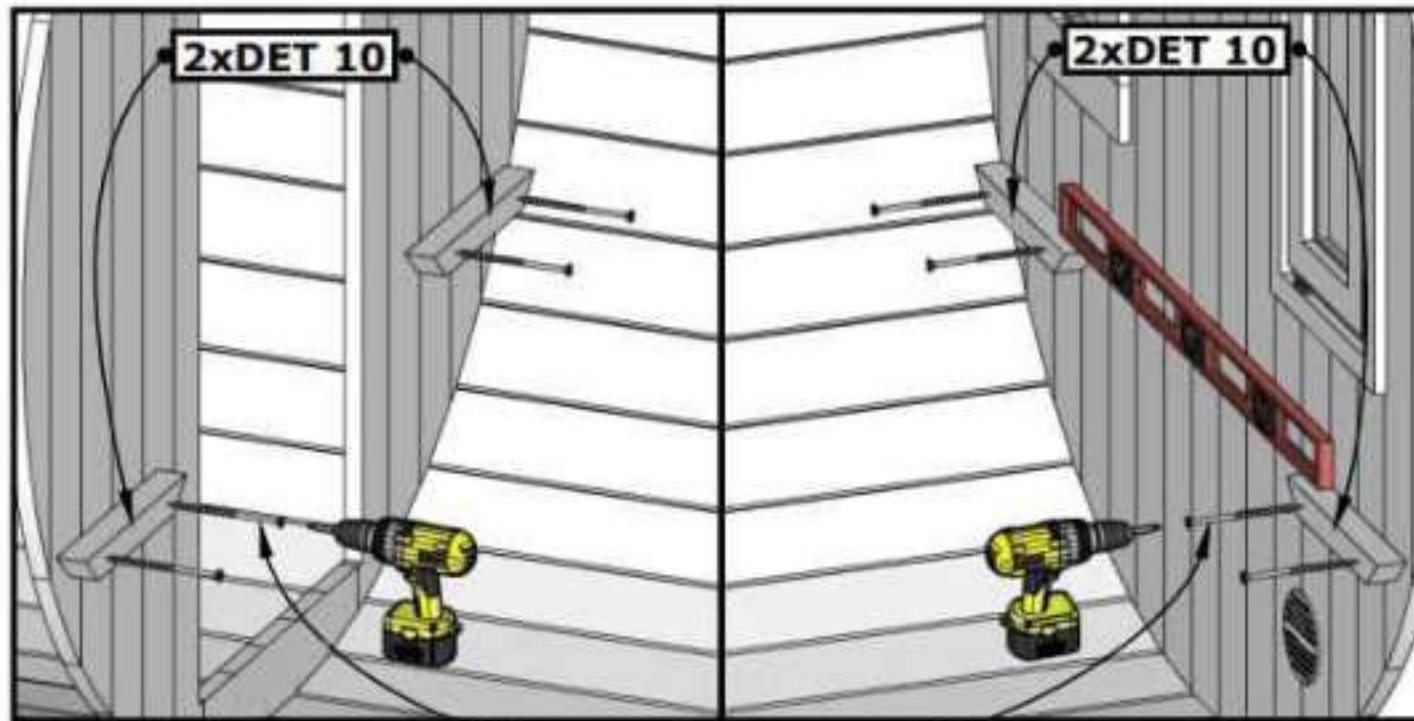
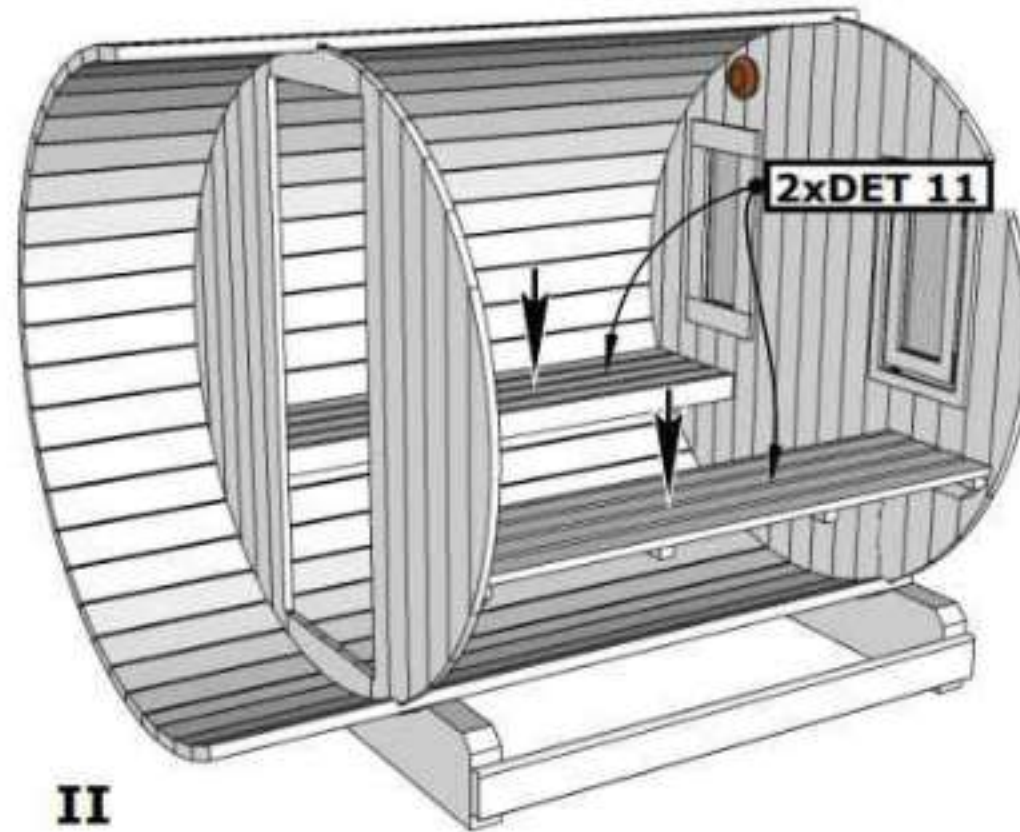


1x DET G

1x DET F

9.

SAUNA 250, D205

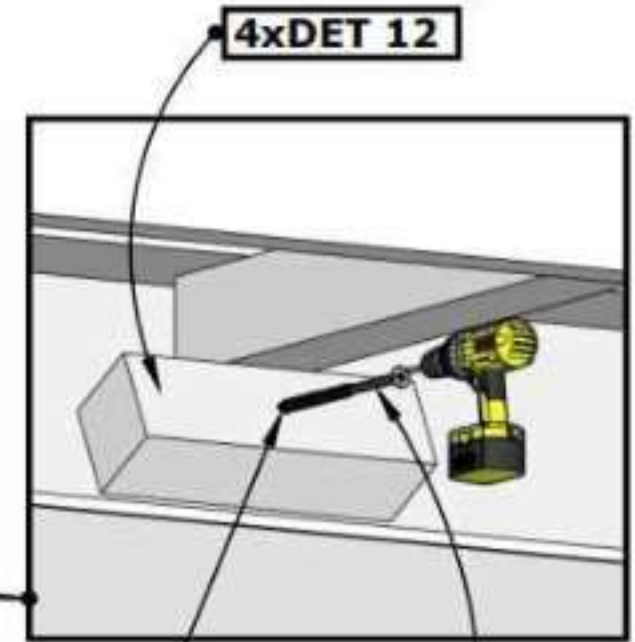
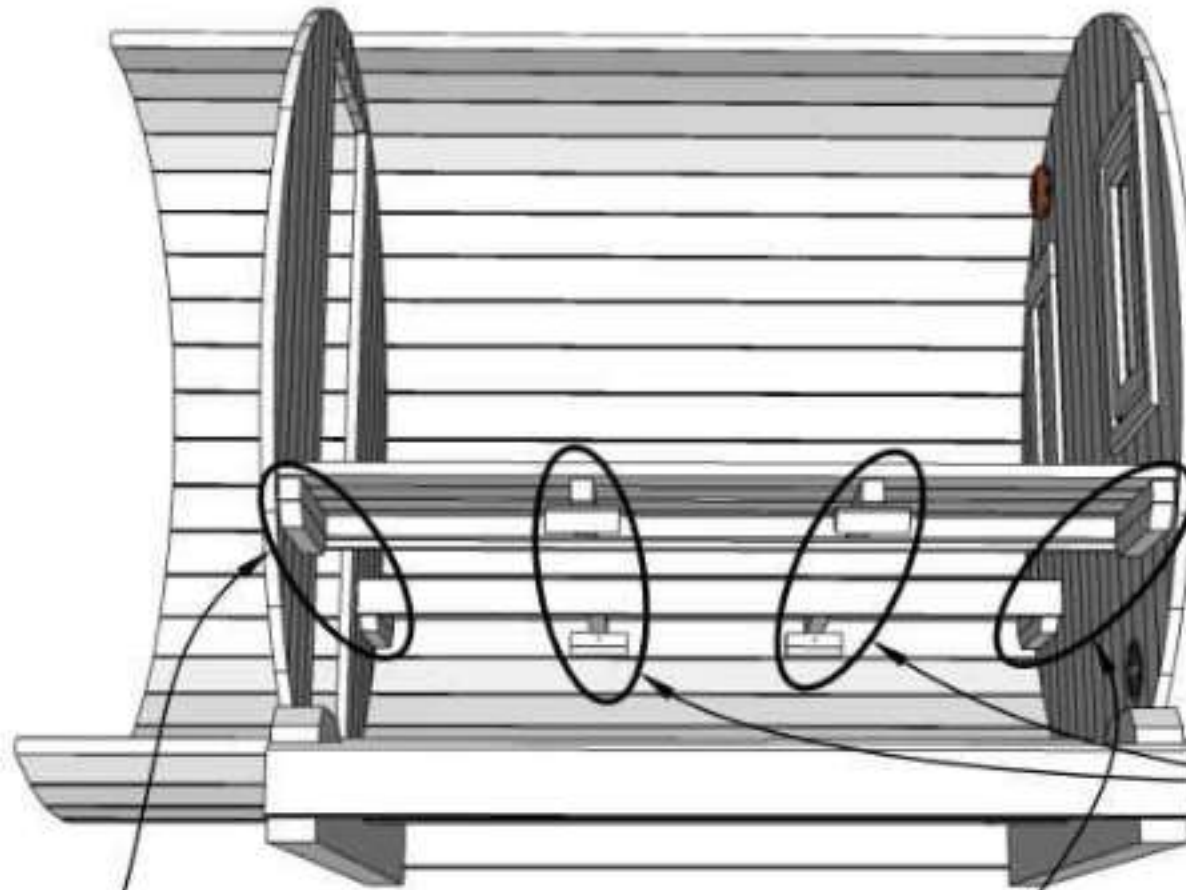


10.

I

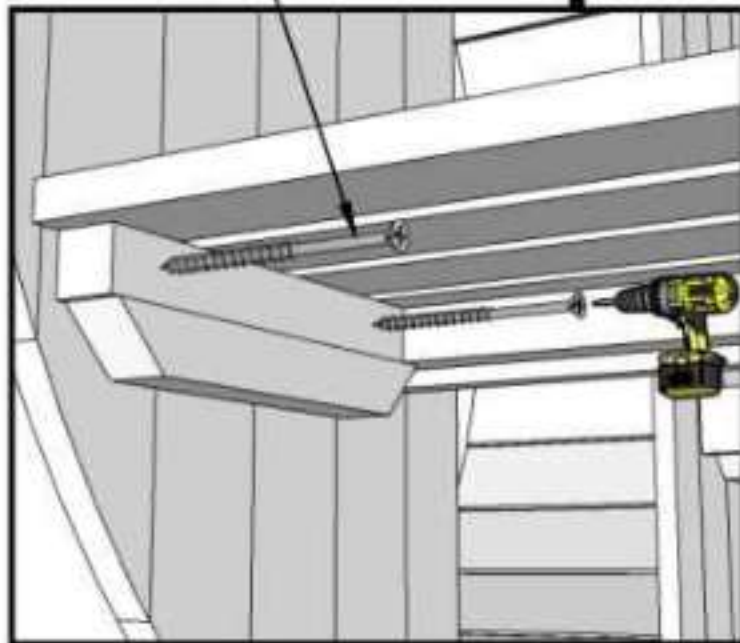


SAUNA 250, D205

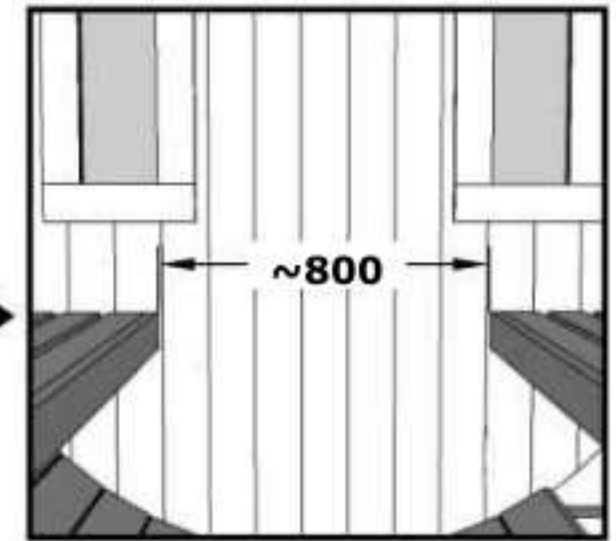
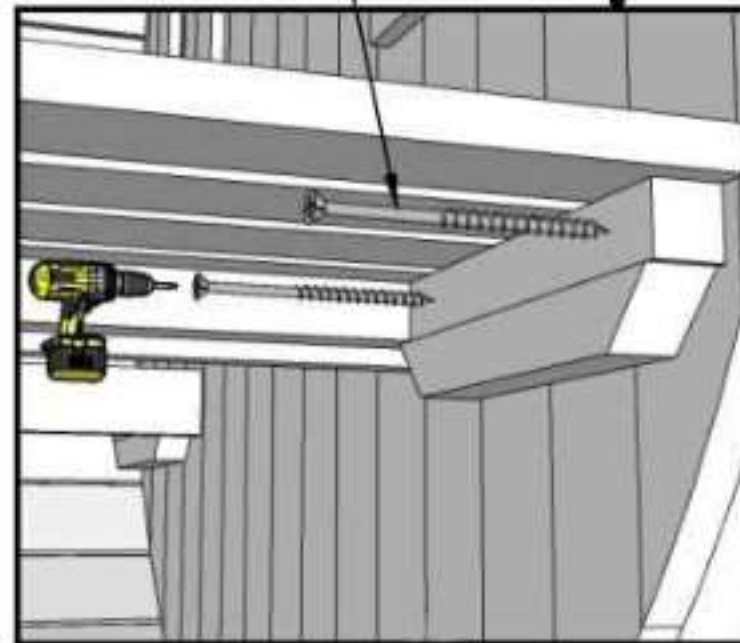


Drill holes  $\text{\O}4\text{mm}$  before screws

4x H

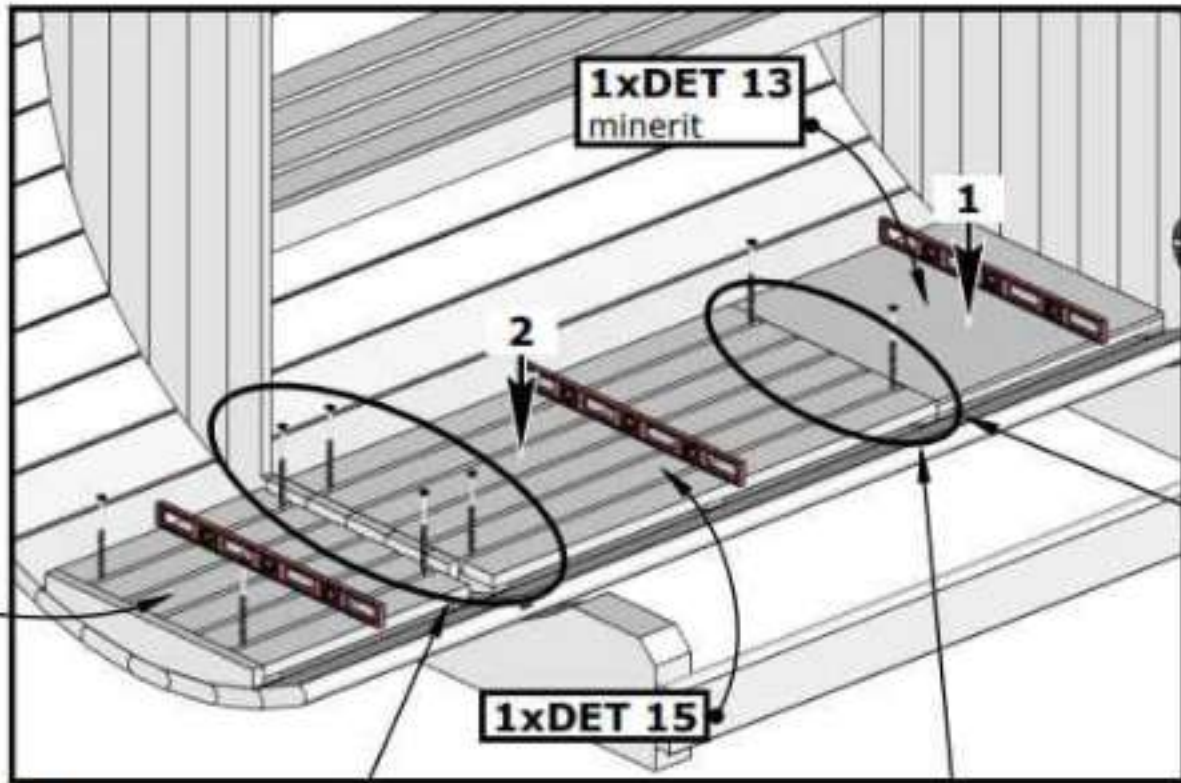


4x H

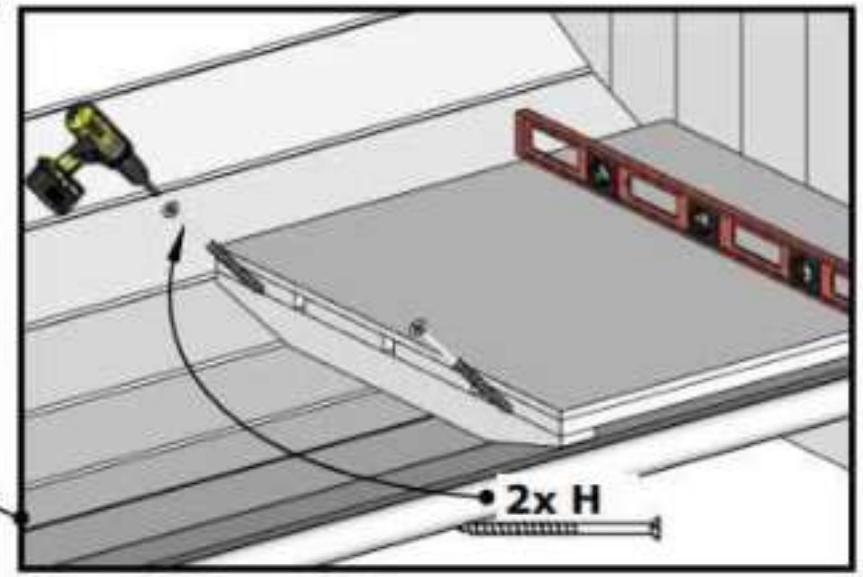


11.

SAUNA 250, D205



I



1xDET 16

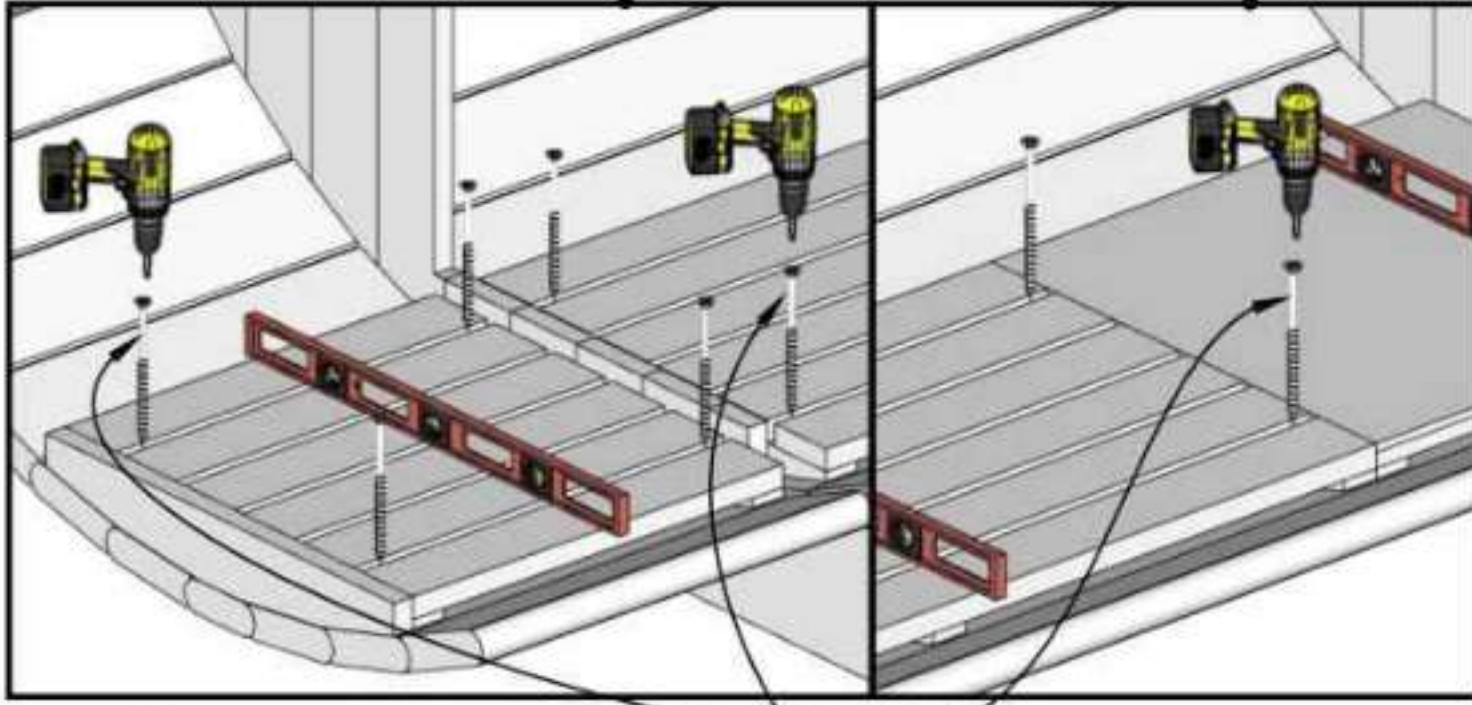
1xDET 15

1xDET 13  
minerit

1

2

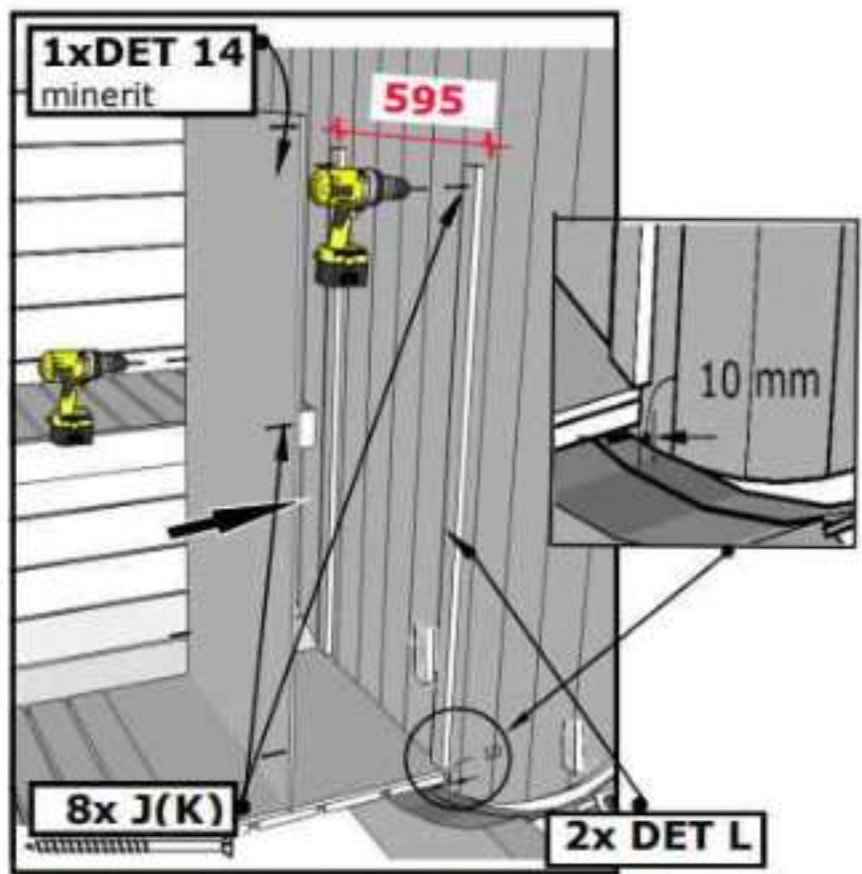
2x H



II

12.

8x H



1xDET 14  
minerit

595

10 mm

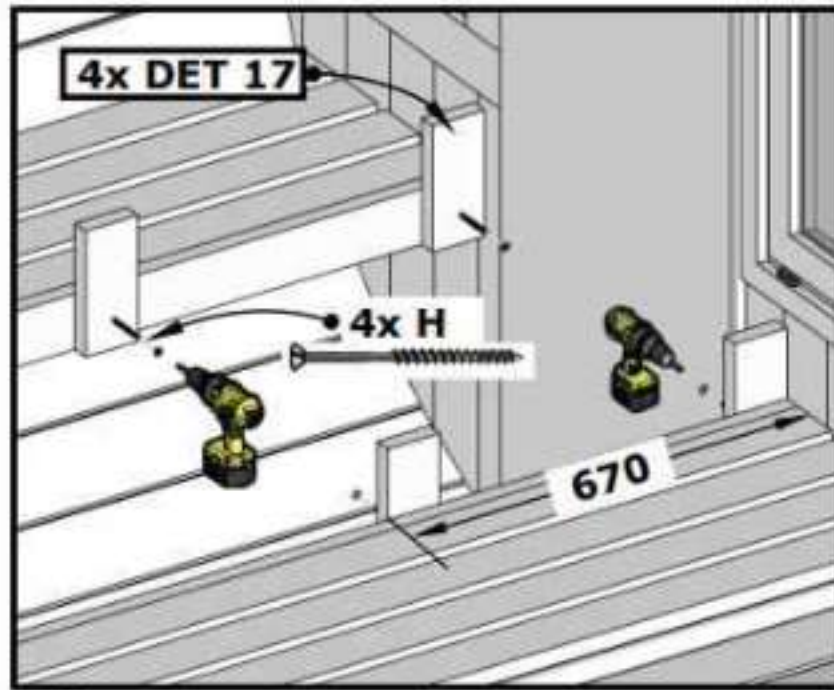
8x J(K)

2x DET L

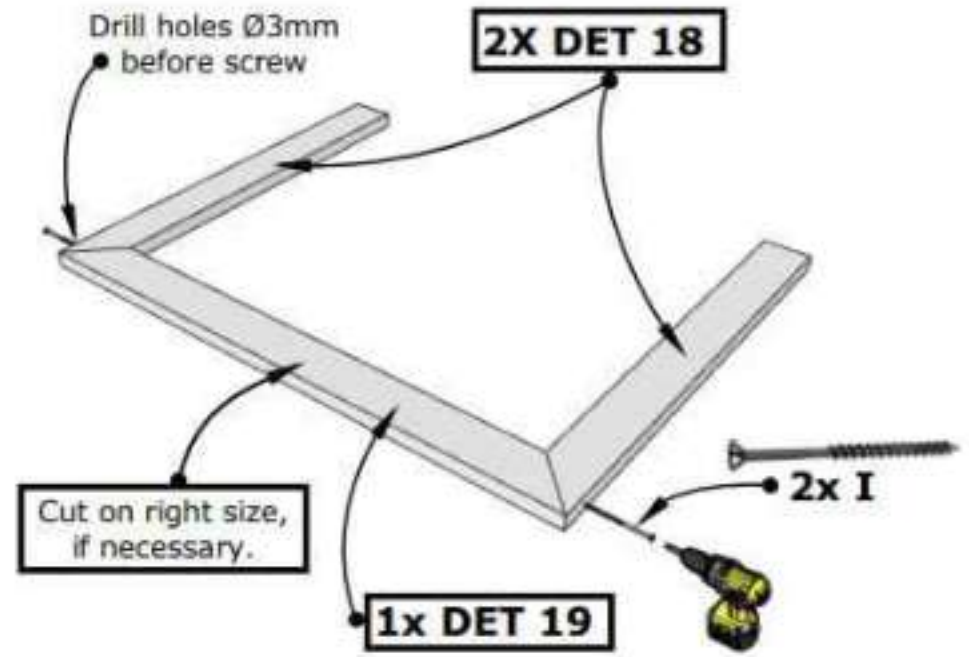
III

NB! If Your Sauna equipped with electrical heater, then fix DET 14 directly to the wall without DET L. Then use screws K.

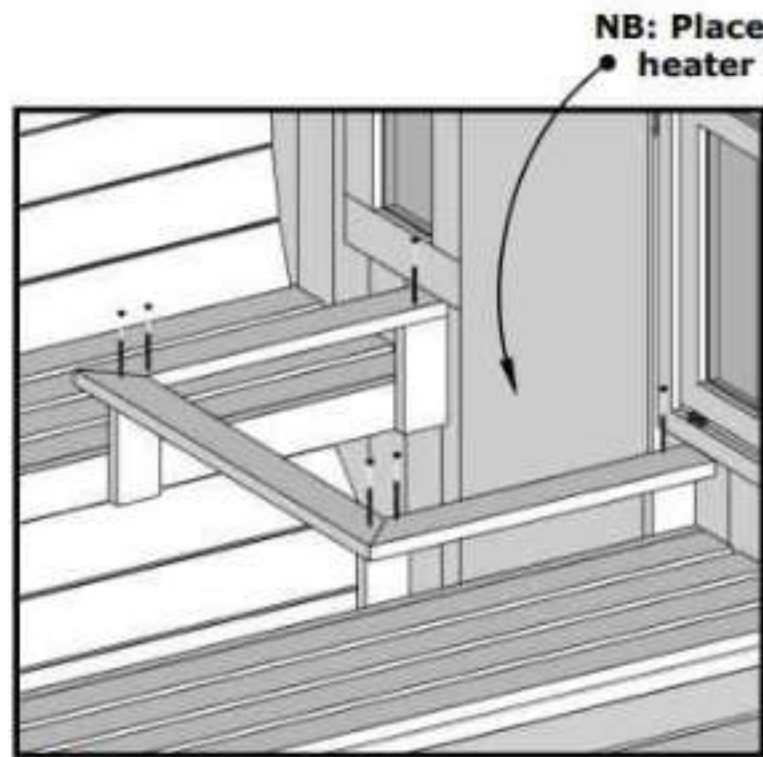
SAUNA 250, D205



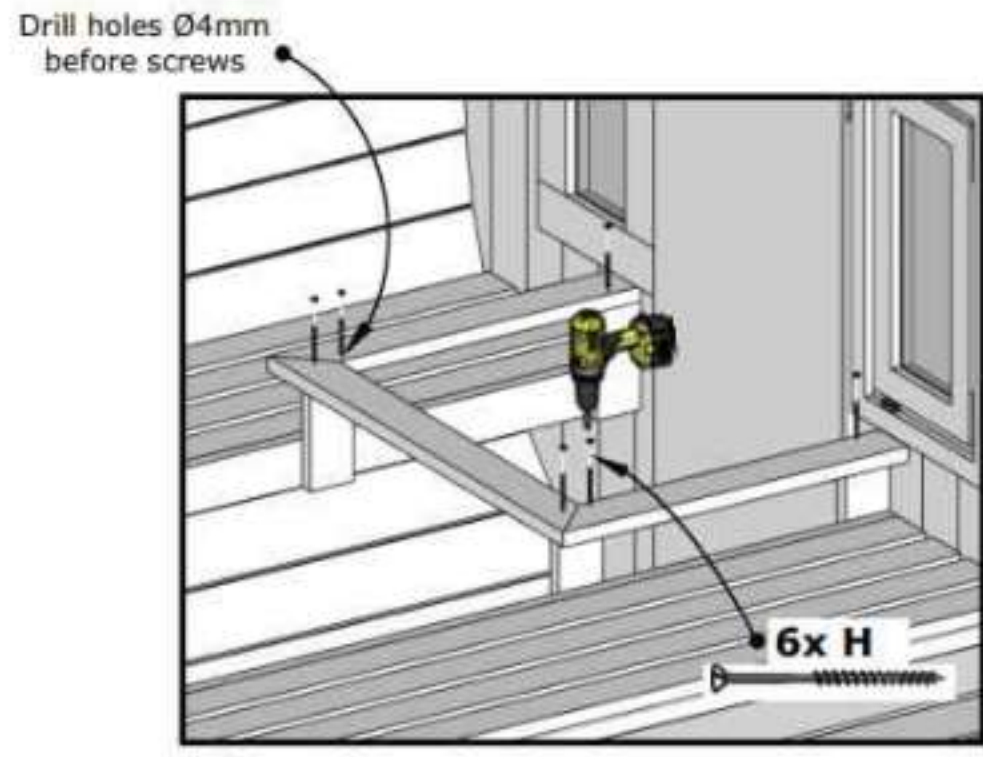
I



II

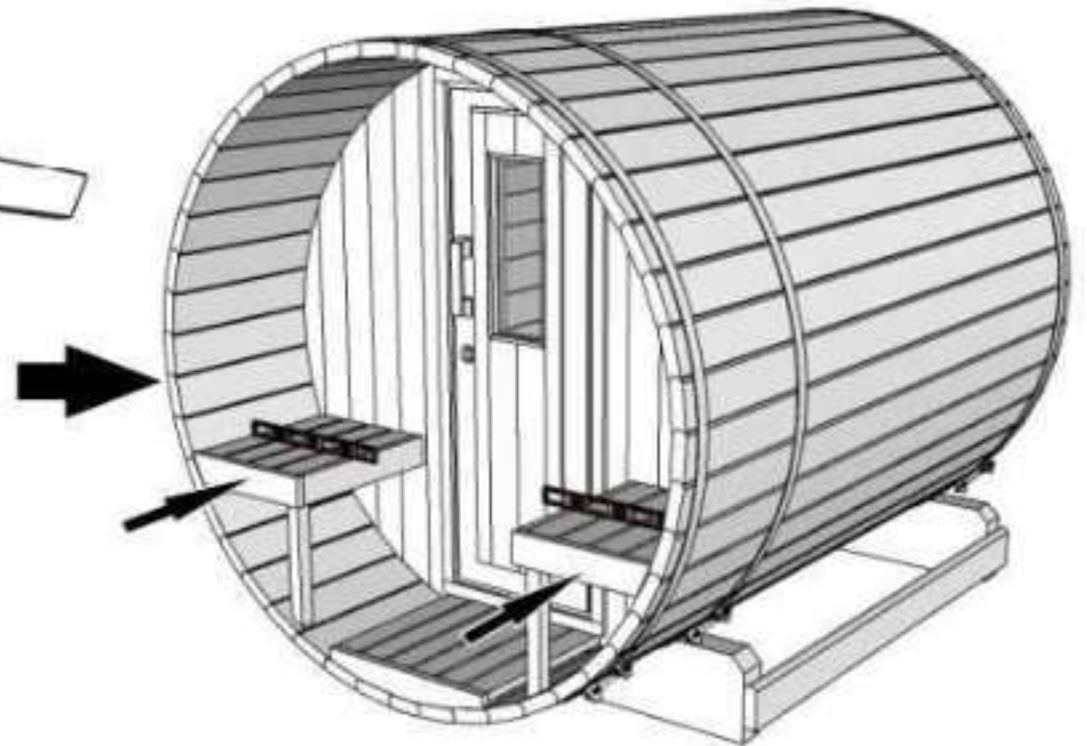
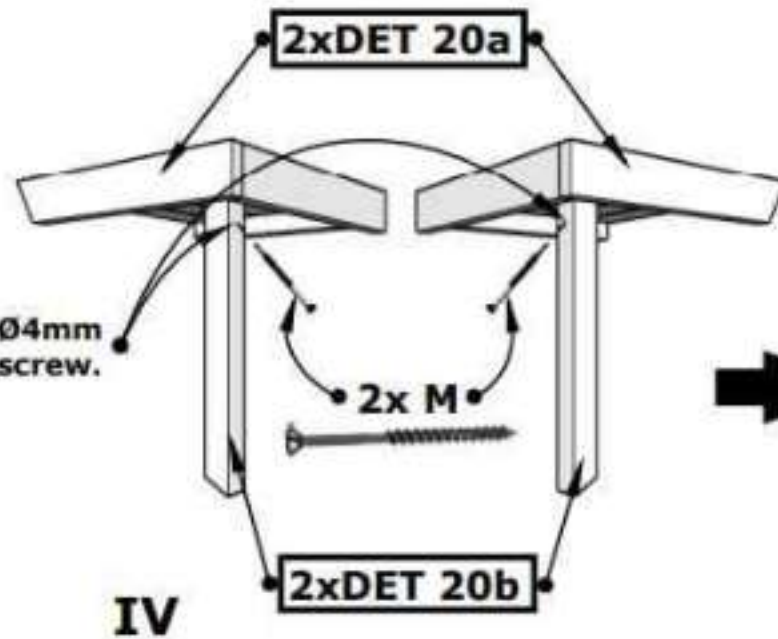


III



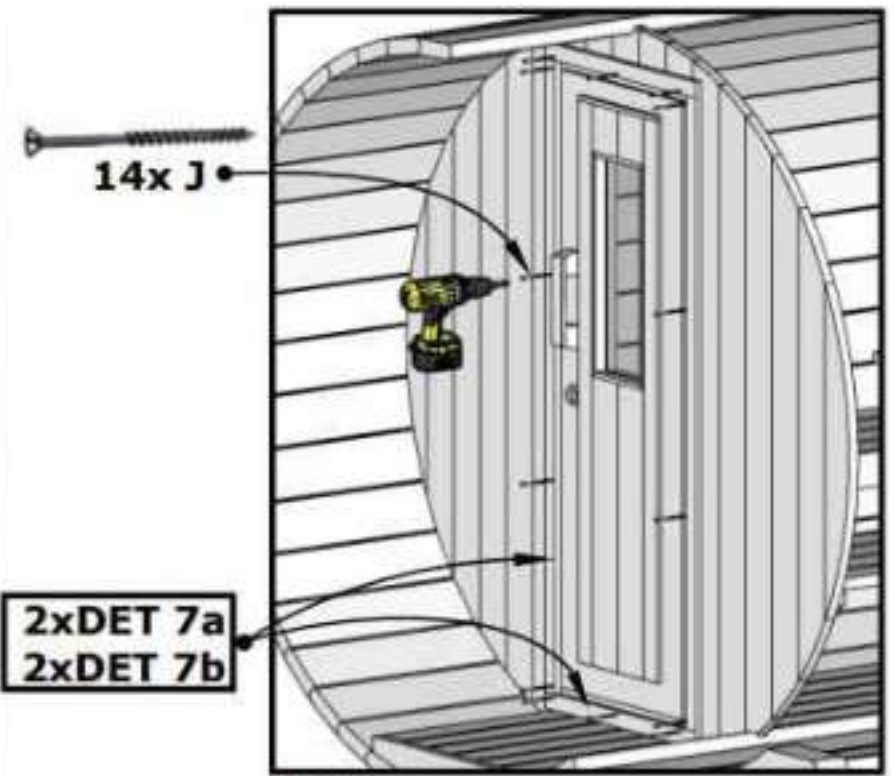
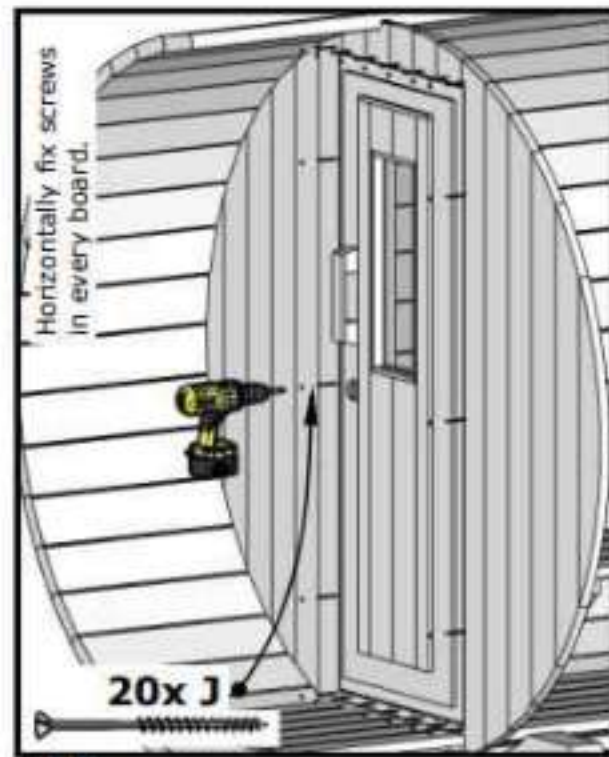
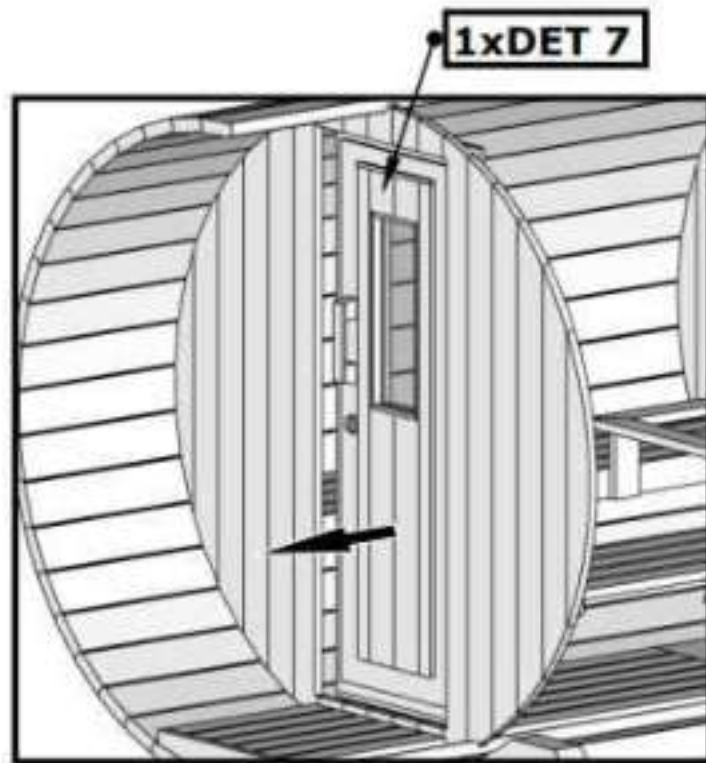
IV

**SAUNA 250, D205**

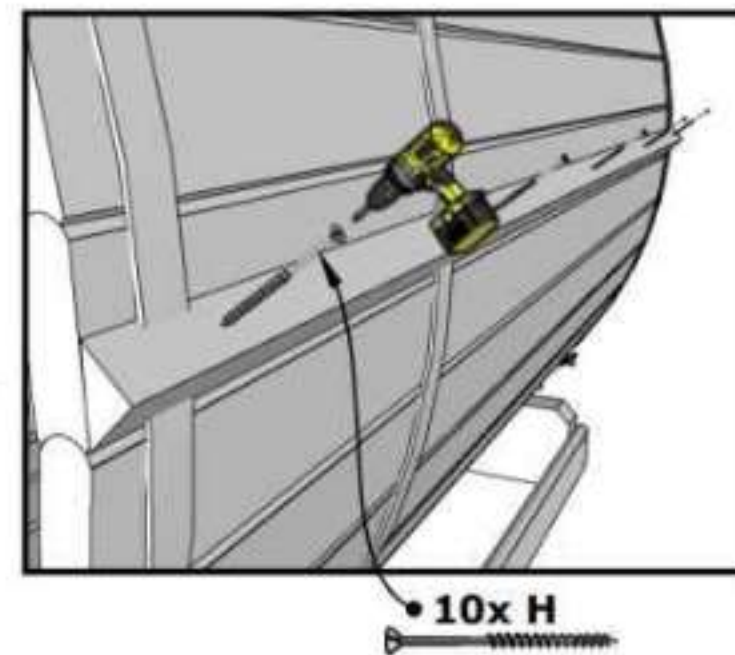
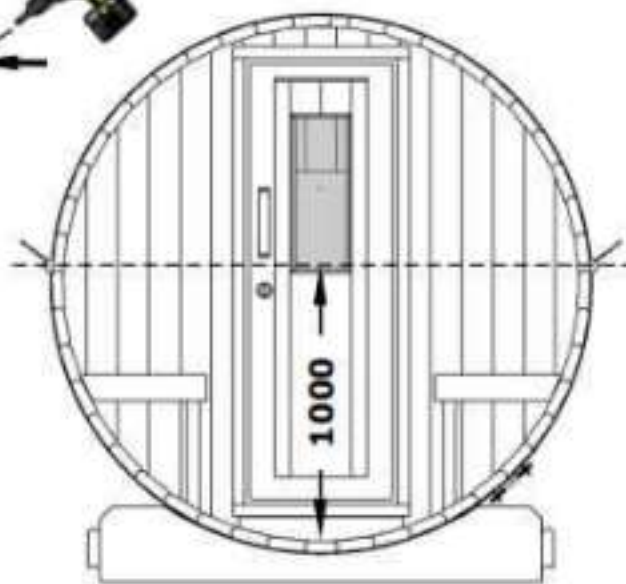
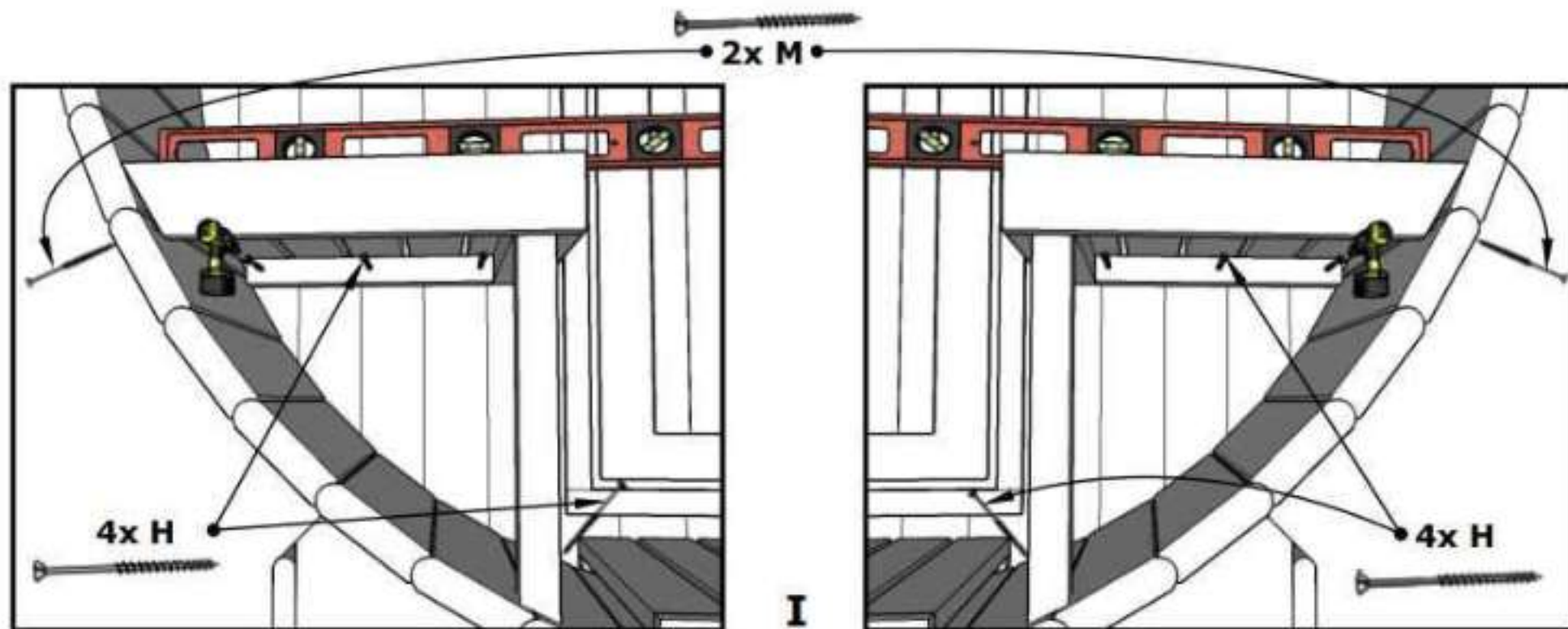


Use waterlevel for door installation.

**NB!** Place door from inside.

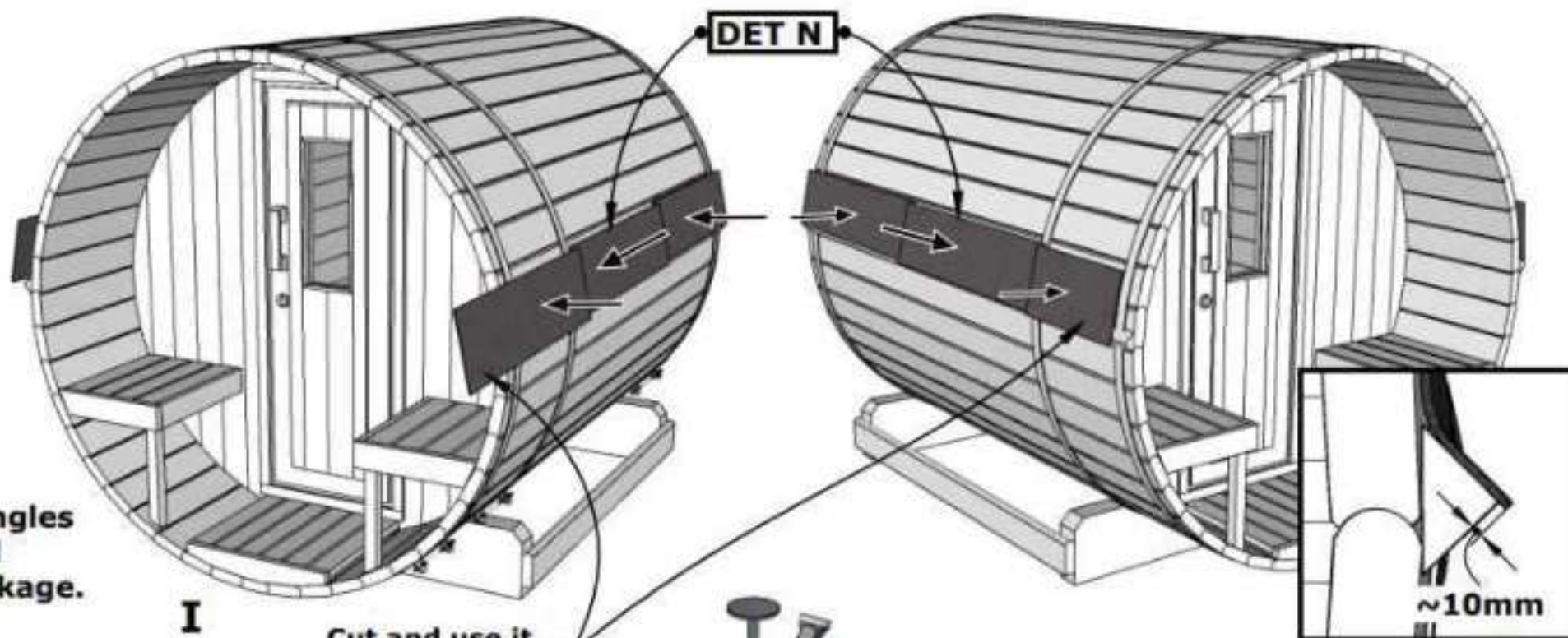


SAUNA 250, D205



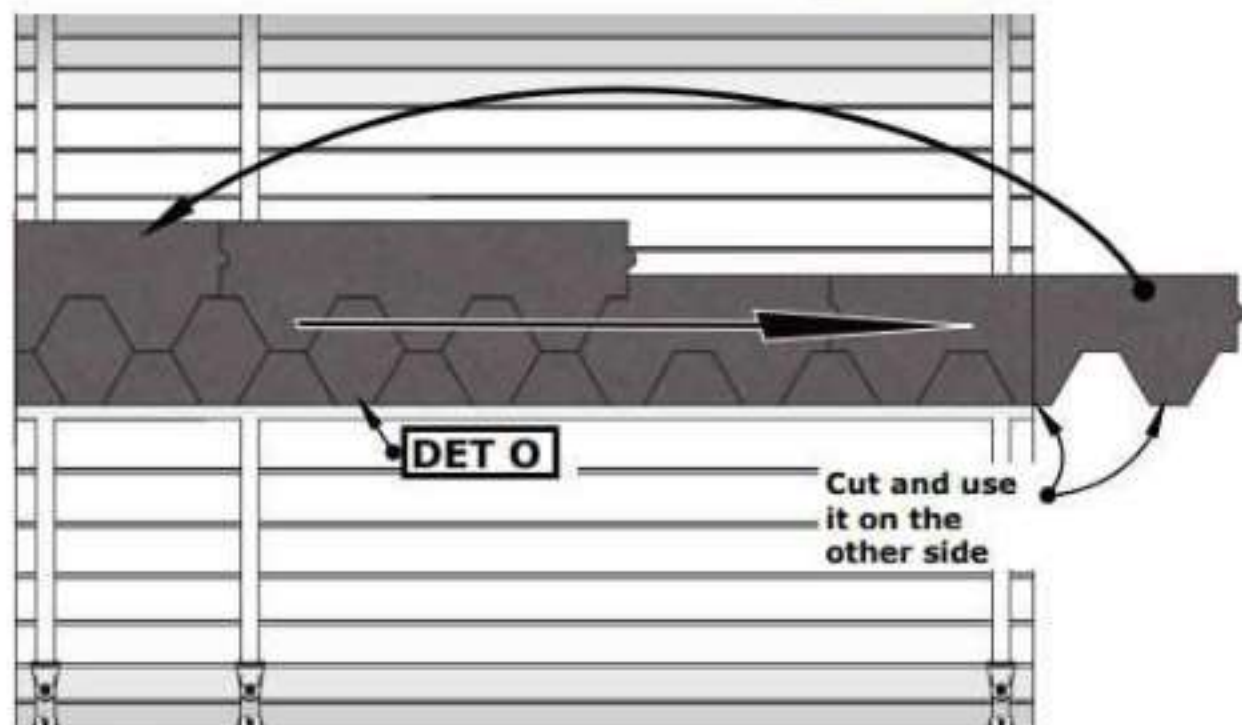
15.

# SAUNA 250, D205

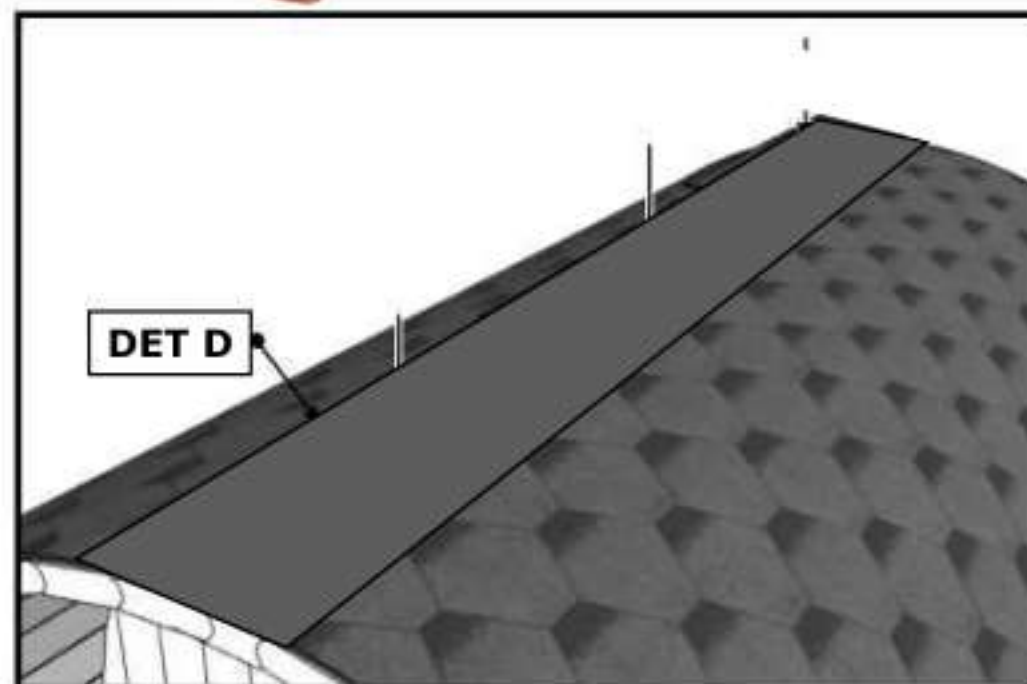


**NB! Check also shingles installation manual inside shingles package.**

**I**  
Cut and use it on ohter side

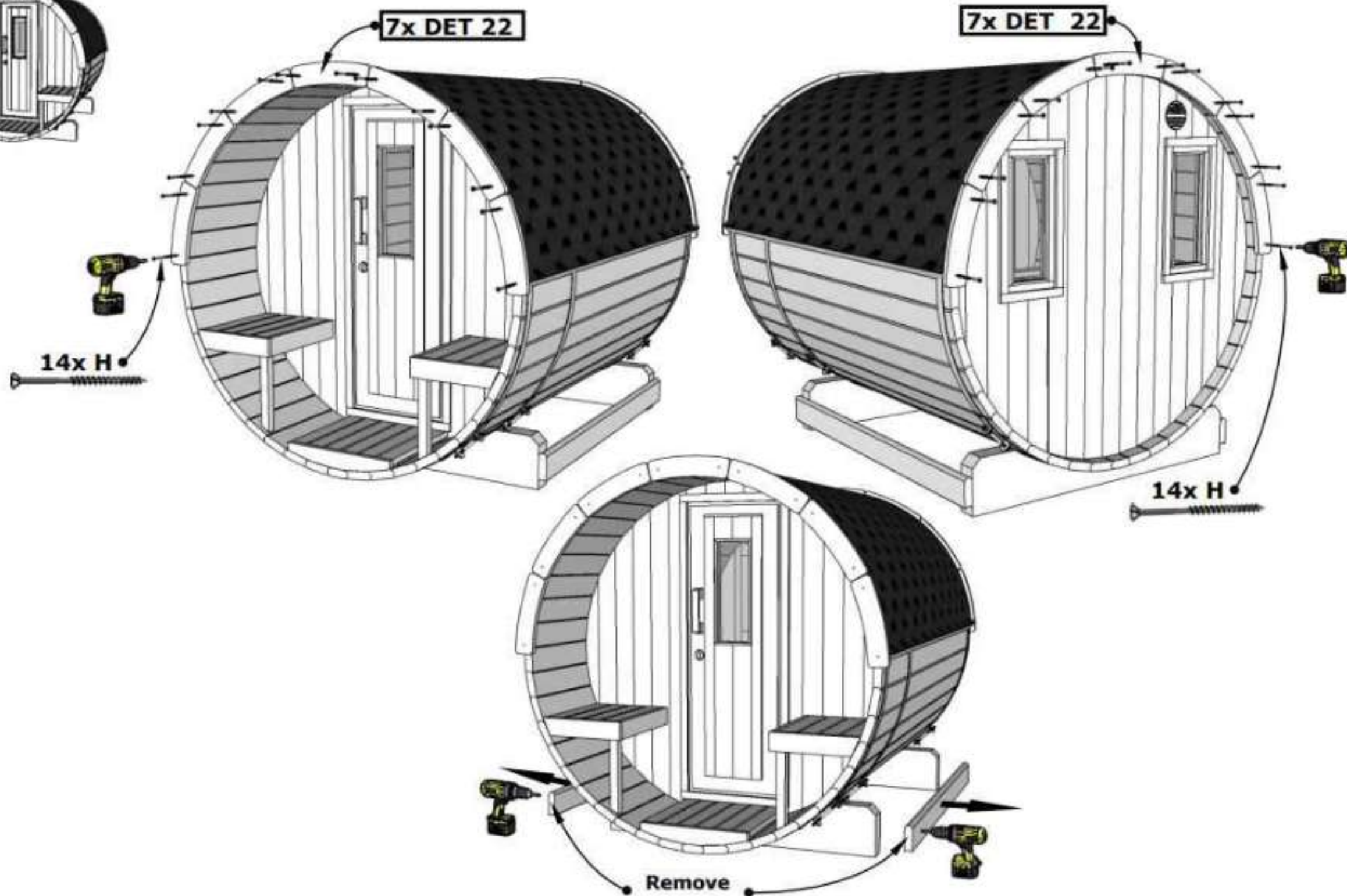


**DET O**  
Cut and use it on the other side



**DET D**

SAUNA 250, D205



17.